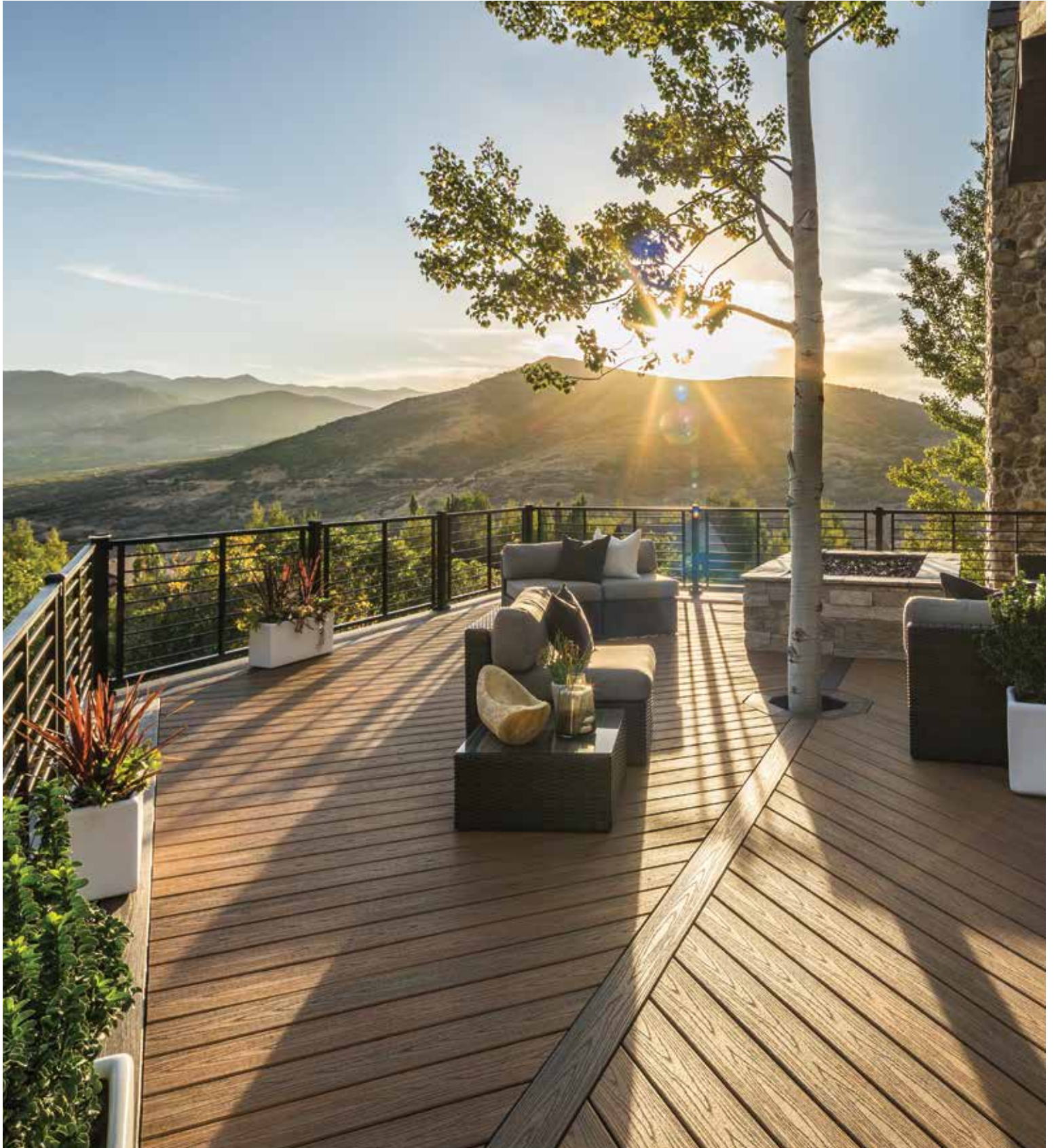




# 2020 DECKING INSTALLATION GUIDE



To learn about Trex Signature® aluminum, and Transcend® and Select® railing products, visit [www.trex.com/products/railing](http://www.trex.com/products/railing).

## What's New for 2020:

Page 5 – Revised Care and Cleaning Guide

Page 12 – Revised decking- and fascia-recommended fasteners

Page 13 – Revised fascia installation recommendations

Page 18 – Revised width-to-width gapping (face-fastening)

Page 26 – Revised warranties

## Need Help?

Trex provides a variety of valuable resources to answer your questions or concerns. For additional assistance, check out:

### » **Trex.com**

Here you will find a wealth of useful information on Trex's extensive products including: installation, care and cleaning instructions and videos, technical help, and FAQs. You'll also find inspiring photos of deck projects, steps to help you plan and start your project, and tips for selecting the right deck builder. At **trex.com**, you can request information, register your warranty, and reach out to customer service representatives who can answer even more questions.

» Call **1-800-BUY-TREX (1-800-289-8739)** and speak to a Customer Loyalty Advocate who can answer your questions.

Refer to **[www.trex.com](http://www.trex.com)** for up-to-date installation and technical documents that may not be found in this printed guide.

Please visit our website at [www.trex.com](http://www.trex.com), and choose Literature at the top of the page, to review individual installation instructions for specific Trex lighting, post mounts, joist mount post, and all railing products. This will ensure you are using the most up to date installation instructions with these products.



This symbol indicates text continues to next page.

**NOTE: Construction methods are always improving. Please refer to [www.trex.com](http://www.trex.com) for the most up-to-date installation requirements.**

# Trex Installation Guide

# CONTENTS

## SECTION ONE: General Information

Safety ..... 4  
Tools ..... 4  
Care and Cleaning ..... 5

## SECTION TWO: Planning Ahead

Trex® Decking ..... 8  
Railing (Including ADA Handrail) ..... 8  
Trex® DeckLighting™ ..... 8  
Trex RainEscape® Drainage System ..... 8  
Installing Hot Tubs, Planters, and Seating ..... 8  
Installing Fireplaces and/or Fire Pits ..... 9  
Installing a Pergola ..... 9  
Installing Trex Spiral Stairs™ ..... 9  
Installing Trex Outdoor Kitchens™ ..... 9

## SECTION THREE: Decking

Decking, Fascia, and Fastener SKUs ..... 11  
Decking and Fascia Recommended Fasteners ..... 12  
Trex Fascia Installation Recommendations ..... 13  
Framing and Fastening Tips ..... 14  
Rooftop and Sleeper Deck Systems ..... 15  
Metal Framing Requirements and Gapping ..... 16  
Code Compliance ..... 18  
Gapping and Overhang ..... 18

### How to Install Decking

Important Notes Before Installing Trex Decking ..... 19  
Routing Square Edged Boards for Trex Hideaway® ..... 19  
Hidden Fasteners ..... 19  
Abutted Board Attachment Requirements ..... 19  
Installing Trex Transcend®, Enhance®, Select®  
Deck Boards ..... 20  
Installing Trex Escapes® ..... 21  
Replacing Trex Boards ..... 23  
Spanning Requirements For Trex Stairs ..... 24  
Installing Trex Stair Treads  
Installed with Hidden Fasteners ..... 25

## SECTION FOUR: Warranties

Trex Transcend, Trex Enhance, Trex Select, and Trex  
Universal Fascia Limited Fade & Stain Warranty ..... 27  
Trex Limited Warranty ..... 29  
Color Palette ..... 31



## Safety

When working on any construction project, you should wear protective clothing and safety equipment. Wear safety glasses, gloves, a dust mask and long sleeves, particularly when cutting in confined spaces.

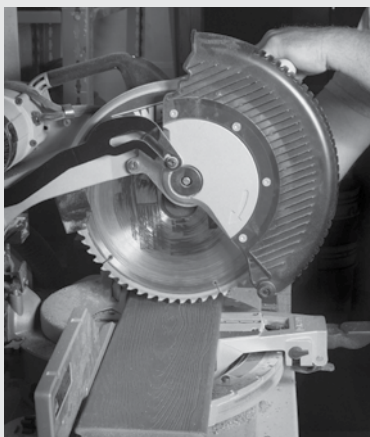
Trex decking and railing are heavier and more flexible than wood. **DO NOT** try to lift the same quantity of Trex boards as you would traditional lumber. Go to [www.trex.com](http://www.trex.com) for Safety Data Sheets (SDS).

## Tools

### SAWS

#### Miter Saw:

When using a miter saw we recommend using the Trex Blade™ or a carbide-tipped blade with 60 teeth or more. The Trex Blade comes in three different sizes and is ideal for cutting all Trex decking and railing products (not recommended for Trex Elevations).



#### Jigsaw:

For detailed and/or small cuts (ie: cutting deck board to fit around a post), a jigsaw with a carbide-tipped blade can be used.



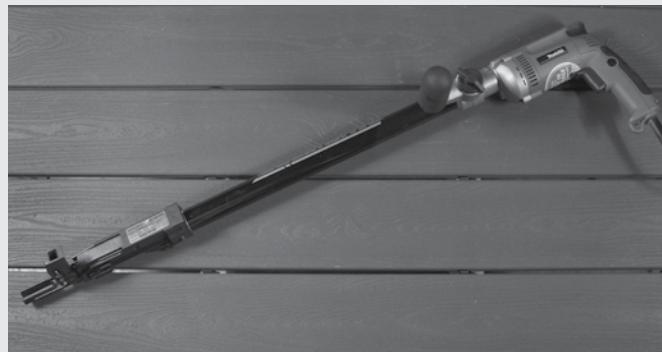
### DRILLS

Install Trex recommended fasteners with standard power drills, impact drivers (use care if using impact drivers), or right angle drills.



### SPECIFIC DECK BOARD ATTACHMENT TOOLS

#### Screw Guns:



Some Trex recommended deck fasteners are compatible with screw guns. Refer to the recommended fasteners page for more information.

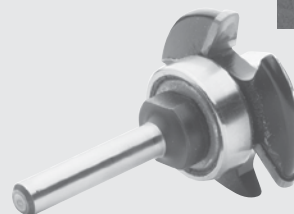
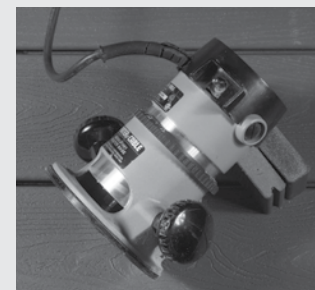
#### TigerClaw® Pneumatic Gun:

If choosing to use the Trex Hideaway Hidden Fastener Connector Clips (these are the metal clips) for Transcend or Enhance Decking or the TigerClaw TC-G Hidden Fasteners with Trex Select Decking, the TigerClaw pneumatic gun is a terrific option that allows for quicker install time.



#### Trex Router Bit:

Trex decking routs to give extremely crisp edges when using the Trex Router Bit with standard router, and can be use with all Trex Hideaway Hidden Fasteners.



\*Trex Blade™ is manufactured and sold by Freud Tools, Inc. under a Trademark License Agreement with Trex Company, Inc.

\*Tiger Claw® is a registered trademark of Tiger Claw, Inc.

## Trex Transcend®, Trex Enhance®, and Trex Select® Care and Cleaning Guide

All exterior building materials require cleaning. Generally, soap and water is all that is required to clean Transcend, Enhance, and Select products. For additional information, see below.

Problem	Solution
Dirt and Debris	The affected area should be sprayed off with a hose to remove surface debris. Use warm soapy water and a soft bristle brush to remove dirt and debris from the embossing pattern.
Using a Pressure Washer (General Cleaning Issues)	A pressure washer with <b>no greater</b> than 3100 psi** that has a fan attachment/adjustment and soap dispenser may be used to remove dirt or mud. Spray deck with soap, then follow by gently scrubbing each deck board with a soft bristle brush. Spray/rinse each individual deck board using a fan tip no closer than 8-in (203 mm) from the decking surface. <b>RINSE THOROUGHLY.</b> If dirty water from cleaning is left to dry, a film will remain on the decking surface.
Issues with Concrete, Cement, Mortar, or Stucco Dust	When working with cement, concrete, mortar, or stucco, protect the decking as much as possible in order to not get dust particles on the decking surface. These particles, once they get hot or wet, can cause a reaction on the decking surface and are very difficult to remove. If particles get on the decking surface, Trex recommends using Sakrete™ Concrete Dissolver ( <a href="http://www.sakrete.com/products/concrete-dissolver">www.sakrete.com/products/concrete-dissolver</a> ). <b>BE SURE TO FOLLOW MANUFACTURER'S INSTRUCTIONS.</b>
Hard Water Staining	Hard water is water with high amounts of mineral deposits like lime, silica and calcium. When the water dries, deposits are left behind, leaving unsightly spots on surfaces. This is not a defect of Trex products but an issue with the water itself. Generally, these deposits can be cleaned with white vinegar on decking surfaces. Rinsing is required, so care should be taken to not use hard water for this purpose. If hard water must be used, dry with a cloth or use a blower to dry surfaces. In some cases a deck brightener product may also be used to help clean hard water stains.
Chalk Lines	Most colored chalks are permanent and may discolor the surface. Use only Irwin Strait-Line® Dust-Off Marking Chalk (purple), available at <a href="http://www.irwin.com">www.irwin.com</a> .
Tannins Due to Debris	Remove all debris from the deck using a hose or broom. Once the deck surface is dry, apply a deck "brightener" to the deck as directed by the manufacturer. Deck Brighteners contain oxalic acid, which will also remove tannins.
Ice and Snow	A plastic shovel may be used to remove snow from the deck. Use calcium chloride or rock salt to melt the snow and ice from the deck surface.
Oil, Grease, and Food	All food spills should be removed as soon as possible. <b>The surface must be cleaned within seven days to maintain the stain warranty.</b> To remove, spray off with a hose and use warm, soapy water and a soft bristle brush to remove spills from the embossing pattern.
Mold and Mildew	If debris such as pollen and dirt is allowed to remain on the deck surface, mold can feed on the biofilm. Using a hose and warm, soapy water with a soft bristle brush is recommended to remove the food source and mold.



## Trex Transcend®, Trex Enhance®, and Trex Select® Care and Cleaning Guide

Problem	Solution
<b>Trex and Static Electricity</b>	<p>While this is not common, static electricity can occur on walking surfaces in dry climates or in areas where dry winds and dust-borne particles lay on the decking surfaces. Static electricity can build up on occupants walking across any composite decking surface, including Trex, then produce a small static shock if they touch a grounded metal surface such as railing, door, etc.</p> <p>This condition can be decreased greatly with the use of a product call ACL Staticide®. Two products tested were General Purpose Staticide® and Heavy Duty Staticide®. Both are effective in greatly reducing static electricity on Trex decking surfaces. Apply full strength, using a mop on a dry decking surface, and allow to dry; no rinsing or diluting needed. Products are non-toxic, non-flammable, non-staining (will not change the color of decking surface), completely biodegradable, and safe to use. Product is water-based and may require a second application after rain or other weather conditions. Over a period of time, the effect of static will dissipate naturally on the decking surface.</p> <p>See link for more information on product: <a href="http://www.aclstaticide.com/antistatic_coatings.html">www.aclstaticide.com/antistatic_coatings.html</a></p>
<b>Rubber Mats</b>	Use caution when using rubber-backed mats (i.e. welcome mats, etc.) as these may contain substances that can sometimes discolor or lighten the decking surface.
<b>Curving Trex Decking</b>	Trex recommends the use of the Trex® CustomCurve® to properly curve decking products. Note that Trex Enhance decking cannot be curved.
<b>Job Site Storage</b>	<p>Store decking on a flat level surface and ALWAYS use proper supports (dunnage). <b>DO NOT</b> store directly on the ground. When stacking decking bundles, supports (dunnage) should start approximately 8-in (203 mm) from each end and be spaced approximately 2-ft (0.61m) on center. In addition, supports (dunnage) should line up vertically/perpendicular to the decking product. Adjust support blocks (dunnage) accordingly if bundles are loose. For Select decking, Enhance decking, and 1x12 and 1x8 products, the maximum stack height is 12 bundles. For all other decking products maximum stack height is 14 bundles (<b>IMPORTANT TO NOTE THAT PROPER DUNNAGE SPACING MUST BE IN PLACE FOR THESE HEIGHTS</b>). When stacking multiple bundles, ensure that dunnage lines up vertically down through each stack. ALWAYS cover decking products on site until ready to be installed.</p>

*Strait-Line® is a registered trademark of Irwin Industrial Tool Company.*

*Sakrete™ is a trademark of Oldcastle APG, a CRH Company.*

*\*Use of products containing bleach or acid can lighten the surface of Trex. Use in an inconspicuous area to determine whether you like the effect. Neither product will affect the structural integrity of Trex.*

*\*\*Use of a pressure washer greater than 3100 psi could damage the boards and void the warranty.*

### NOTES:

- » Refer to [www.trex.com](http://www.trex.com) to view a general care and cleaning video for Transcend, Enhance, and Select decking.
- » Refer to [www.trex.com](http://www.trex.com) for a care and cleaning guide for Trex Early-Generation Composite and PVC Decking.





# PLANNING AHEAD

PLANNING AHEAD

## Planning Ahead

### Trex Decking:

- » When installing any Trex decking product, especially Trex Transcend Tropicals, it is a good idea to mix and match all of the boards on the job site prior to installation to ensure an appealing mix of light and dark tones.
- » **DO NOT** combine Trex Select decking with other Trex decking products. Trex Select boards are thinner than Transcend and Enhance boards.

### Railing (Including ADA Handrail):

- » First, pick the railing style you want.
- » Calculate your spanning based on the railing you chose.
- » Determine the number of balusters you will need based on the railing you chose.

**NOTE:** For post placement on stairs, it is **VERY IMPORANT** to plan your post spacing based on the length of the rail and angle of the stairs. For nominal 6' and 8' stair rail lengths, stair post spans (measured horizontally) will be less than 6' or 8' due to the angle of the stairs.

**NOTE:** Trex Transcend and Select horizontal railings are made to be installed at maximum of 6' (1.83 m) or 8' (2.44 m) on center (depending upon type of railing you choose). Those railings are not true 6' (72") or 8' (96") in length. Trex Signature railing and Rod Rail are made to be installed at maximum 6' or 8' CLEAR SPAN BETWEEN POSTS.

- » Determine post locations prior to installing any decking. In most cases, posts are usually installed before decking is installed.
- » Confirm with your local building official if ADA Handrail is required, and if so plan spanning for posts accordingly to allow for attachment of Trex ADA Handrail. ADA Handrail requires a span of 6' OC for posts.
- » Grill placement: A good recommendation to help prevent damage to your railing is to not have a grill too close to your railing. Allow for ample airspace (6" or more is recommended) between the back/sides of your grill to help prevent charring or staining to the railing.

Refer to [www.trex.com](http://www.trex.com) to view detailed install instructions for Transcend, Select, or Signature railing.

### Trex Lighting:

- » Plan locations of lights, power supply, timer, and dimmer. These should be accessible for service if necessary.
- » Install wiring before decking and railing have been installed.
- » **DO NOT** run wires between joists and deck boards.

Refer to [www.trex.com](http://www.trex.com) to view detailed Trex lighting instructions.

### Trex® RainEscape® Deck Drainage System:

- » Plan ahead for deck layout to allow for proper placement of Trex RainEscape within the joist system.
- » Make sure joists are straight and square.

See [www.trex.com](http://www.trex.com) for more information on Trex RainEscape recommendations and installation. Trex RainEscape is manufactured and distributed by Dri-Deck Enterprises, LLC, under a trademark license with Trex Company, Inc.

### Installing Hot Tubs, Planters, and Seating:

- » Plan ahead proper joist spanning if required (this is especially important if installing a hot tub).
- » Refer to page 33 for Trex Decking Span Chart for specific loads.

Call 1-800-BUY-TREX for detailed questions.



## Planning Ahead/*continued*

### Installing Fireplaces and/or Fire Pits With Trex Decking:



- » Determine if fire will be gas or wood burning. (**NOTE:** Most fire pits shown in Trex images are gas burning.)
- » For gas, the fire pit is installed by cutting around the Trex decking. **It is not to be installed on top of Trex decking.** A fire-resistant material is installed under the fire pit and a protective “wall” made from stone or other fire-resistant material is installed to hold fire pit in place and also protect the decking from heat.
- » For wood, fire pits are not recommended on top of Trex decking unless using a product called DeckProtect®. Wood-burning fire pits can damage the decking due to extreme heat from the bottom of the fire pit and/or burning embers “shooting” onto the decking. DeckProtect® was tested on all Trex decking and there were no issues with burning of the decking surface when placed directly under a standard size portable fire pit along with the accompanying rack (**NOTE:** Rack is not available for all sizes, so check with manufacturer first for verification). Trex does recommend that the DeckProtect® padding/rack be moved from time to time for general cleaning underneath. It should be noted that even when using DeckProtect®, burning embers could “shoot” beyond the protective mat and burn the deck.

For more information about this product, please visit their website at [www.deckprotect.net](http://www.deckprotect.net) or call 1-800-BUY-TREX. DeckProtect® is a registered trademark of Infinite Heat Solutions.

### Installing a Pergola on Trex Decking:

- » Keep in mind that if you are planning to install a Trex® Pergola™ on your deck, you will need access to the underside of the deck. Trex Pergola mounts with a 10” x 10” (254 mm x 254 mm) aluminum plate on the underside of the deck, creating a clamping effect on both the top and bottom of the deck for maximum strength. If installed, water barriers and any under deck coverings will have to be removed to properly install the pergola posts.

- » You need to consider the location of your pergola posts with respect to joists. However, you do not have to mount your plates between joists. It is possible to place blocks on the bottom of the joists and mount the Trex Pergola brackets through the blocks.



Trex® Pergola™ products are manufactured and sold by Home & Leisure, Inc., d/b/a/ Structureworks Fabrication under a Trademark License Agreement with Trex Company, Inc. A 25-year Limited Warranty is provided by manufacturer.

### Installing Trex® Spiral Stairs™:

- » Refer to [www.trexspiralstairs.com](http://www.trexspiralstairs.com) for detailed information on how to plan and install Trex Spiral Stairs.

Trex® Spiral Stairs™ are manufactured and sold by M. Cohen and Sons, Inc., d/b/a The Iron Shop, under a Trademark License Agreement with Trex Company, Inc. A 25-year Limited Warranty is provided by manufacturer.

### Installing Trex® Outdoor Kitchens™:

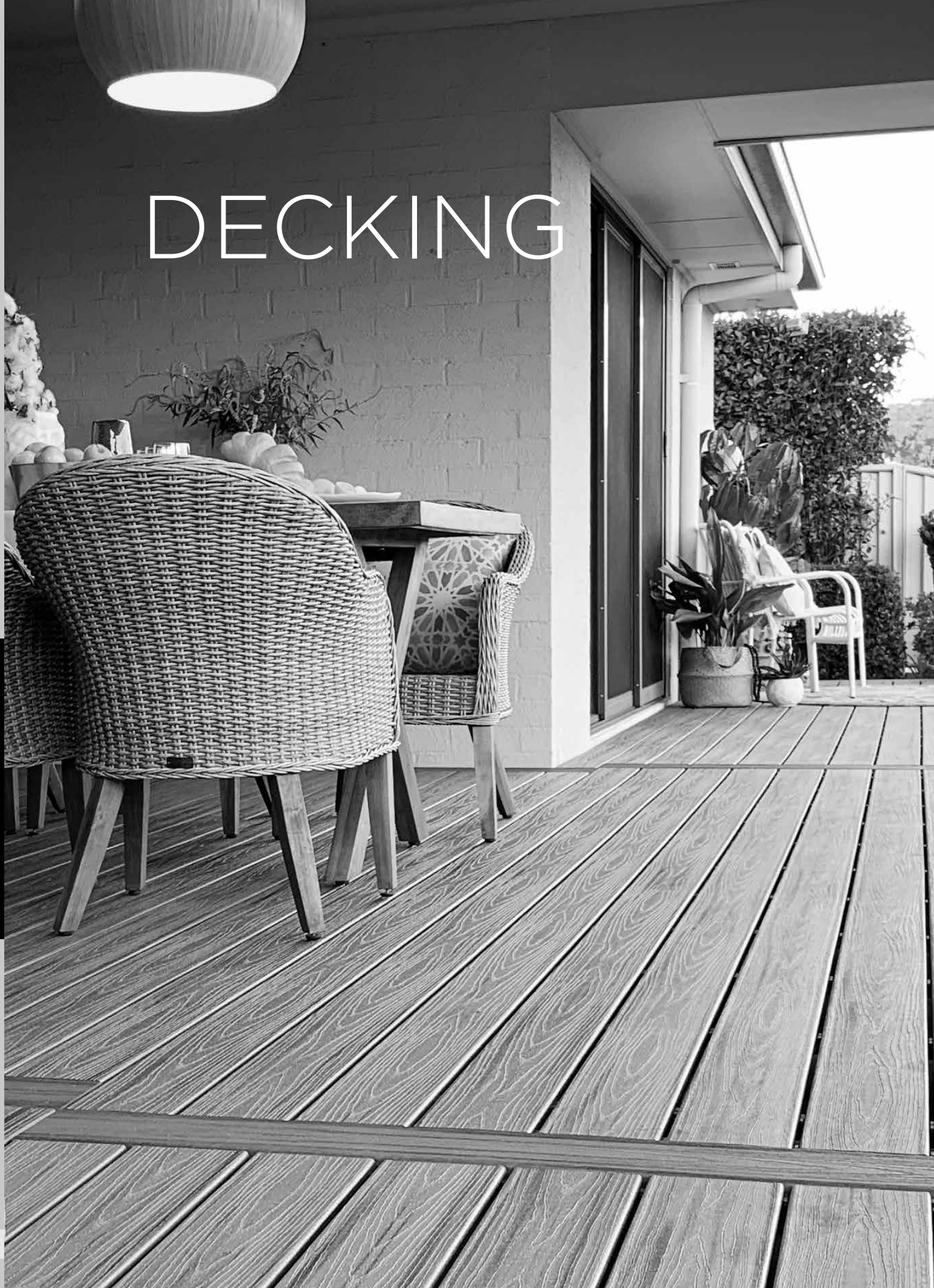
- » Refer to [trex-outdoorkitchens.com](http://trex-outdoorkitchens.com) for detailed information on how to install Trex Outdoor Kitchen products.

Trex® Outdoor Kitchens™ is manufactured and sold by CT Acquisitions LLC., under a Trademark Agreement with Trex Company, Inc. A Limited Warranty is provided by the manufacturer.

**NOTE:** You can always reference the Design Tools Section on [www.trex.com](http://www.trex.com) for additional planning ahead aids.



# DECKING



# TREX® DECKING & FASCIA

PROFILE	DESCRIPTION	ITEM NUMBER	COLORS					
<b>1" Square-Edge Board</b> <i>Actual dimensions:</i> Transcend & Enhance: .94 in x 5.5 in x 12 ft / 16 ft / 20 ft (24 mm x 140 mm x 365 cm / 487 cm / 609 cm) Select: .82 in x 5.5 in x 12 ft / 16 ft / 20 ft (20 mm x 140 mm x 365 cm / 487 cm / 609 cm)	1 x 6 x 12' 1 x 6 x 16' 1 x 6 x 20' 1 x 6 x 12' 1 x 6 x 16' 1 x 6 x 20' 1 x 6 x 12' 1 x 6 x 16' 1 x 6 x 20' 1 x 6 x 12' 1 x 6 x 16' 1 x 6 x 20' 7/8 x 6 x 12' 7/8 x 6 x 16' 7/8 x 6 x 20'	Transcend Tropicals Transcend Tropicals Transcend Tropicals Transcend Earth Tones Transcend Earth Tones Transcend Earth Tones Enhance Basics Enhance Basics Enhance Basics Enhance Naturals Enhance Naturals Enhance Naturals Select Select Select	XX010612TS01 XX010616TS01 XX010620TS01 XX010612T2S01 XX010616T2S01 XX010620T2S01 XX010612E2S01 XX010616E2S01 XX010620E2S01 XX010612E2S01 XX010616E2S01 XX010620E2S01 XX010612SS01 XX010616SS01 XX010620SS01	IM, TT, HG, SR, LR GP, RS, TH, VL, FP CS, BD, SD FW, RH, TS, CB, SC PG, WG, SD, WB, MB				
	<b>1" Grooved-Edge Board</b> <i>Actual dimensions:</i> Transcend & Enhance: .94 in x 5.5 in x 12 ft / 16 ft / 20 ft (24 mm x 140 mm x 365 cm / 487 cm / 609 cm) Select: .82 in x 5.5 in x 12 ft / 16 ft / 20 ft (20 mm x 140 mm x 365 cm / 487 cm / 609 cm)	1 x 6 x 12' 1 x 6 x 16' 1 x 6 x 20' 1 x 6 x 12' 1 x 6 x 16' 1 x 6 x 20' 1 x 6 x 12' 1 x 6 x 16' 1 x 6 x 20' 1 x 6 x 12' 1 x 6 x 16' 1 x 6 x 20' 7/8 x 6 x 12' 7/8 x 6 x 16' 7/8 x 6 x 20'	Transcend Tropicals Transcend Tropicals Transcend Tropicals Transcend Earth Tones Transcend Earth Tones Transcend Earth Tones Enhance Basics Enhance Basics Enhance Basics Enhance Naturals Enhance Naturals Enhance Naturals Select Select Select	XX010612TG01 XX010616TG01 XX010620TG01 XX010612T2G01 XX010616T2G01 XX010620T2G01 XX010612E2G01 XX010616E2G01 XX010620E2G01 XX010612E2G01 XX010616E2G01 XX010620E2G01 XX010612SG01 XX010616SG01 XX010620SG01	IM, TT, HG, SR, LR GP, RS, TH, VL, FP CS, BD, SD FW, RH, TS, CB, SC PG, WG, SD, WB, MB			
		<b>1" x 8" Fascia</b> <i>Actual dimensions:</i> Transcend, Enhance, Select, Universal White: .56 in x 7.25 in x 12 ft (14 mm x 184 mm x 365 cm)	1 x 8 x 12' 1 x 8 x 12' 1 x 8 x 12' 1 x 8 x 12' 1 x 8 x 12'	Transcend Tropicals Transcend Earth Tones Enhance Basics Enhance Naturals Select Universal White	XX010812TS01 XX010812T2S01 XX010812E2S01 XX010812E2S01 XX010812SS01 WW010812ES01	IM, TT, HG, SR, LR GP, RS, TH, VL, FP CS, BD, SD FW, RH, TS, CB, SC PG, WG, SD, WB, MB WOOD GRAIN WHITE		
			<b>1" x 12" Fascia</b> <i>Actual dimensions:</i> Transcend, Enhance, Select, Universal White: .56 in x 11.375 in x 12 ft (14 mm x 288 mm x 365 cm)	1 x 12 x 12' 1 x 12 x 12' 1 x 12 x 12' 1 x 12 x 12' 1 x 12 x 12'	Transcend Tropicals Transcend Earth Tones Enhance Basics Enhance Naturals Select Universal White	XX011212TS01 XX011212T2S01 XX011212E2S01 XX011212E2S01 XX011212SS01 WW011212ES01	IM, TT, HG, SR, LR GP, RS, TH, VL, FP CS, BD, SD FW, RH, TS, CB, SC PG, WG, SD, WB, MB WOOD GRAIN WHITE	
				<b>2" Square-Edge Board</b> <i>Actual dimensions:</i> Transcend 2x4: 1.3 in x 3.4 in x 16 ft (33 mm x 86 mm x 487 cm) Transcend & Select 2x6: 1.3 in x 5.5 in x 12 ft / 16 ft / 20 ft (33 mm x 140 mm x 365 cm / 487 cm / 609 cm)	2 x 4 x 16' 2 x 6 x 12' 2 x 6 x 16' 2 x 6 x 20' 2 x 6 x 12' 2 x 6 x 16' 2 x 6 x 20'	Transcend Tropicals Transcend Tropicals Transcend Tropicals Transcend Tropicals Select Select Select	XX020416TS01 XX020612TS01 XX020616TS01 XX020620TS01 XX020612SS01 XX020616SS01 XX020620SS01	IM, TT, HG, SR, LR IM, TT, HG, SR, LR PG, SD, WB, MB

XX = COLOR PREFIX:	IM Island Mist TT Tiki Torch HG Havana Gold SR Spiced Rum	LR Lava Rock GP Gravel Path RS Rope Swing TH Tree House	VL Vintage Lantern FP Fire Pit PG Pebble Grey WG Winchester Grey	SD Saddle WB Woodland Brown MB Madeira FW Foggy Wharf	RH Rocky Harbor TS Toasted Sand CB Coastal Bluff SC Sunset Cove	CS Clam Shell BD Beach Dune SD Saddle
--------------------	--	--	---	--	--	---

TREX HIDDEN FASTENING SYSTEM	DESCRIPTION	ITEM NUMBER
Connector Clip (stainless steel)	50 sq. ft. (4.6 sq. m) box 500 sq. ft. (46.5 sq. m) bucket	CONNECTCLIP CLIPPAIL
Gun Pail	500 sq. ft. (46.5 sq. m) bucket with collated pneumatic screws	GUNCLIP
Universal Starter Clip	400 sq. ft. (37 sq. m) bag	UNIVSTARTCLIP
Universal Fastener (glass-filled nylon)	50 sq. ft. (4.6 sq. m) box 500 sq. ft. (46.5 sq. m) bucket	UNIVCONCLIP DA00002
Router Bit	Router Bit	ROUTBIT

**NOTE: Construction methods are always improving. Please refer to [www.trex.com](http://www.trex.com) for the most up-to-date installation requirements.**



# Decking and Fascia Recommended Fasteners

If any condition occurs which is attributable to the use of non-recommended fasteners, such condition shall not be covered under the Trex Limited Warranty.

		Transcend®	Enhance® (scalloped profile)	Select®
RECOMMENDED FASTENERS	<b>DECKING-HIDDEN FASTENERS</b>			
	Trex Hideaway® Universal Hidden Fastener	X	X	X
	Trex Hideaway® Connector Clip	X	X	
	TigerClaw® TC-G Hidden Fastener	X	X	X
	Cortex® Concealed Fasteners*	X		X
	Starborn® Pro Plug® System for PVC & Composite (Epoxy Coated & Stainless) (2" are approved for sleeper & roof top applications only)	X		X
	Simpson Strong-Tie® Deck Drive™ DCU Composite Screw & DCU Screw Plugs (Handdrive only & must also use Auto-Set Drive Bit)	X		X
	<b>DECKING-COMPOSITE SCREWS</b>			
	FastenMaster® TrapEase 3 Ultimate Composite Deck Screw	X	X	X
	Simpson Strong-Tie® Deck-Drive™ DCU Composite Screw (Collated & Handdrive)	X	X	X
	Quik Drive® Composi-Lok Deck Screw	X	X	X
	SplitStop™ Titan III Composite Screw	X	X	X
	Starborn® Cap-Tor® xd Epoxy Coated & Headcote® Stainless (available collated for Muro CH7390 Driver**) (2" are approved for sleeper & roof top applications only)	X	X	X
	Screw Products C-Deck Exterior Star Drive Composite Deck Screw	X	X	X
	Phillips II Plus® Pozisquare	X	X	X
	Muro® T-Screw Torx Stainless Steel Screw - Collated (TX0212SFD or M-TX0300SEP)	X	X	X
Kameleon™ GRKFasteners™			X	

		Transcend	Enhance	Select
RECOMMENDED FASTENERS	<b>FASCIA**</b>			
	Cortex® Hidden Fastening System for Fascia	X	X	X
	Starborn® Pro Plug® System for Fascia - Epoxy Coated & Stainless	X	X	X
	Starborn® Deckfast® Fascia System - Epoxy Coated* & Headcote® Stainless	X	X	X
	SplitStop™ Fascia Screw	X	X	X
	Simpson Strong-Tie® Fascia Board Screw	X	X	X
	FastenMaster® TrapEase® Fascia Fastener	X	X	X

**NOTES:**

- » Do not use any hidden fasteners that are plug based with Trex Enhance profiles with scalloped bottom.
- » 2-3/4" or 3" screws can be used with Trex 2x6 product.
- » Muro T-Screw M-TX0300SEP listed above is approved for 2x6 decking (can also be used with standard 1" (decking as listed above). This screw is collated and can be used with Muro Auto Feed Screw Gun FDVL41 Speed Driver. **(NOTE: THIS IS NOT A COLOR-MATCH SCREW.)**
- » All decking products are approved for use with Trex Hideaway Hidden Fasteners, thus all decking products can be routed according to our instructions.
- » Simpson Strong-Tie Deck Drive DCU Composite Screw in collated versions works with Quik Drive gun.
- » \* Not for use with sleeper systems. Refer to FastenMaster® literature for more information. Also, these are approved with Trex 2x6 decking profiles.
- » \*\* Fascia system screws listed above **can only be used with composite fascia profiles**, and cannot be used with standard thickness decking boards used as fascia. Use stainless steel screws near water applications.
- » Contact 1-800-BUY-TREX for Escapes fastener recommendations.
- » Trex recommends the use of two screws per joist.
- » All recommended screws are designed to be installed flush with decking surface. DO NOT countersink screws.
- » Use recommended stainless steel screws in any areas near bodies of saltwater.

*FastenMaster® TrapEase® 3 and Cortex® are registered trademarks of OMG, Inc.*

*Quik Drive® is a registered trademark and Composi-Lok™ is a trademark of Simpson Strong-Tie Company, Inc.*

*DeckFast® Cap-Tor® xd and HeadCote® Cap-Tor® xd are registered trademarks of Starborn Industries Inc.*

*C-Deck Exterior Star Deck Composite Deck Screw is a product of Screw Products Inc.*

*Phillips II Plus® is a registered trademark of Phillips Fasteners LLC.*

*SplitStop™ screws are a registered trademark of Titan Metal Werks, Inc.*

Minimum Fastener Size		
SCREWS		
Profile	Length	No.
1x6	2-1/2" or 2-3/4"	#8, #10
2x6	2-3/4" or 3"	#8, #10

# Trex® Fascia Installation Recommendations

Trex Fascia utilized around the perimeter of a deck must be gapped with the same requirements as Trex decking to allow for air flow and expansion/contraction of the fascia.

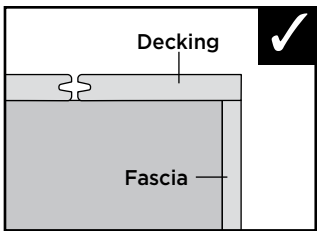
## When Using Approved Fascia Fasteners:

**NOTE:** The fasteners listed below can only be used with 1x8 or 1x12 fascia product, and cannot be used with decking product that is being used as fascia trim or stair risers.

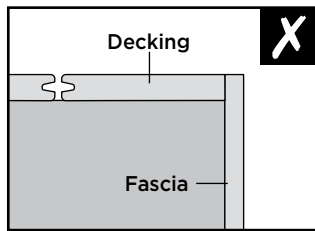
See previous page for Trex-recommended Fascia fasteners.

Always refer to manufacturing instructions first for installation methods. If instructions are not specific, refer to the diagram below. Always remember to gap fascia properly. A secondary glue is not required when using these fasteners.

**NOTE:** Instructions below reflect the use of Trex-recommended fascia fasteners. If using deck boards as fascia, refer to the recommendations in next column on this page.



Install fascia **UNDER** decking edges/ends. This will provide protection to the fascia/framing seam as well as optimize the aesthetics of the installation.



**Do Not** install fascia in the method shown here. The fascia board must be attached fully to the rim joist and cannot run parallel to the decking surface.

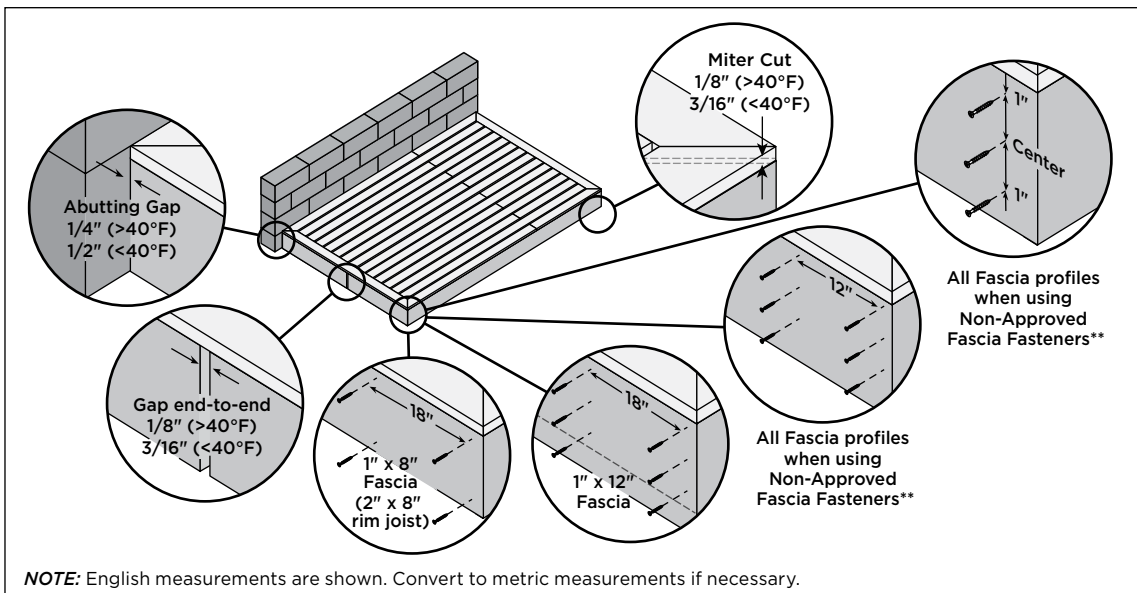
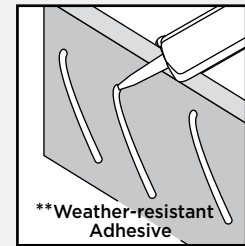
## TIPS:

- » 10" rim joists (represented below unless noted) allow for an easier and more aesthetically pleasing installation.
- » Miter cuts at butt joints and corners allow for a more aesthetically pleasing installation (end-to-end gapping rules still apply).

## If Using Other Fasteners and/or Using Decking Product in Fascia/Stair Riser Applications:

While Trex prefers the previous methods of attachment, as these are the very best options, there are also other recommendations that can be followed for fascia or deck boards being used for fascia. Use three Trex recommended composite decking screws every 12". *ALWAYS refer to manufacturer instructions to ensure that recommended screws can be used for fascia applications.* The top screw should be placed 1" from the top of the **rim joist**, the second screw in the center of the rim joist, and the third screw 1" from the bottom of the **rim joist**.

**\*\*IN ADDITION,** also use a weather-resistant, construction-grade adhesive (adhesives that work with wood will work with Trex products) as a **SECONDARY** fastener when attaching fascia. *Remember to wipe away any excess before it dries or is allowed to drip on other Trex surfaces.*



**NOTE:** English measurements are shown. Convert to metric measurements if necessary.

**NOTE:** Construction methods are always improving. Please refer to [www.trex.com](http://www.trex.com) for the most up-to-date installation requirements.

## Framing and Fastening Tips

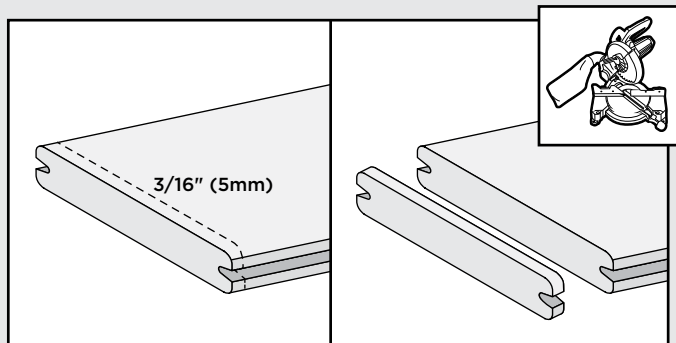
### Fastening Tip for Trex Escapes, Trex Transcend, Trex Enhance, and Trex Select

**NOTE:** When using pneumatic or battery-operated equipment, adjust the pressure so that you only shoot the head of the screw to be flush with the board's cap. DO NOT shoot the fastener head completely through the shell.

### Trex Products Near Low-E Windows

Low-E glass reflects more sunlight. It has been observed that the extra reflectivity, combined with any concavity in the glass, can act like a concave mirror. This mirror effect concentrates sunlight onto outdoor objects, including that of decking and railing. This can result in an extreme amount of heat concentrated on areas of the decking surface. This can sometimes char the decking surface or cause the decking to slightly bow.

### Clean Cut Boards



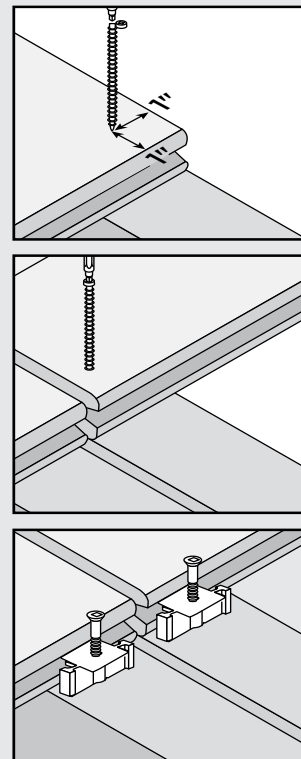
**It is recommended that boards be clean cut on both ends a minimum of 3/16" (5mm).**

Composite decking is a great alternative to traditional wood decking. When building your deck and railing, it is recommended that code-approved structural material be used as the framing and joists. One option is using Trex Elevations steel deck framing. Refer to [www.trex.com](http://www.trex.com) for more information on Trex Elevations. Check your local building codes for restrictions. Trex decking cannot be used for structural applications. **Do not** attach Trex decking directly to any solid surface or watertight system.

In most cases, install fasteners at a 90° angle (perpendicular to the board).

At board ends on the deck's edge, you can install screws placed perpendicularly at the recommended distance, at minimum of 1" (25mm) from the board end and edge, without splitting the board.

For butt joints, where boards meet over a single joist, add a 2" x 4" "nailer" board at the butt joint. This allows screw-in at 90 degrees and allows fasteners to be used at end of each board.



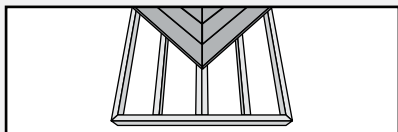
### Dock Applications

Trex decking contains no materials that will harm marine life and is safe for the environment. As long as dock is in intermittent contact with water, i.e., splashing and not in continuous direct contact with water, the durability of the Trex decking should not be affected.

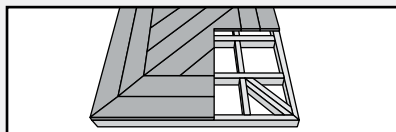
For docks, a 3/8" (10mm) width-to-width gap between boards is recommended to allow for increased drainage due to increased contact with water. In addition, stainless steel fasteners should be used. If there is sufficient contact between the dock and gasoline, grounding of the dock is also recommended.

### Special Patterns

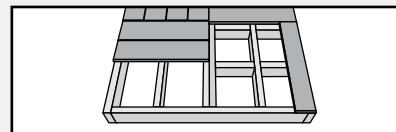
When planning a unique pattern, you will need to adjust the framing to support the surface pattern. Many decks are designed to take advantage of angles, as shown below.



Herringbone Pattern



Picture Frame Pattern



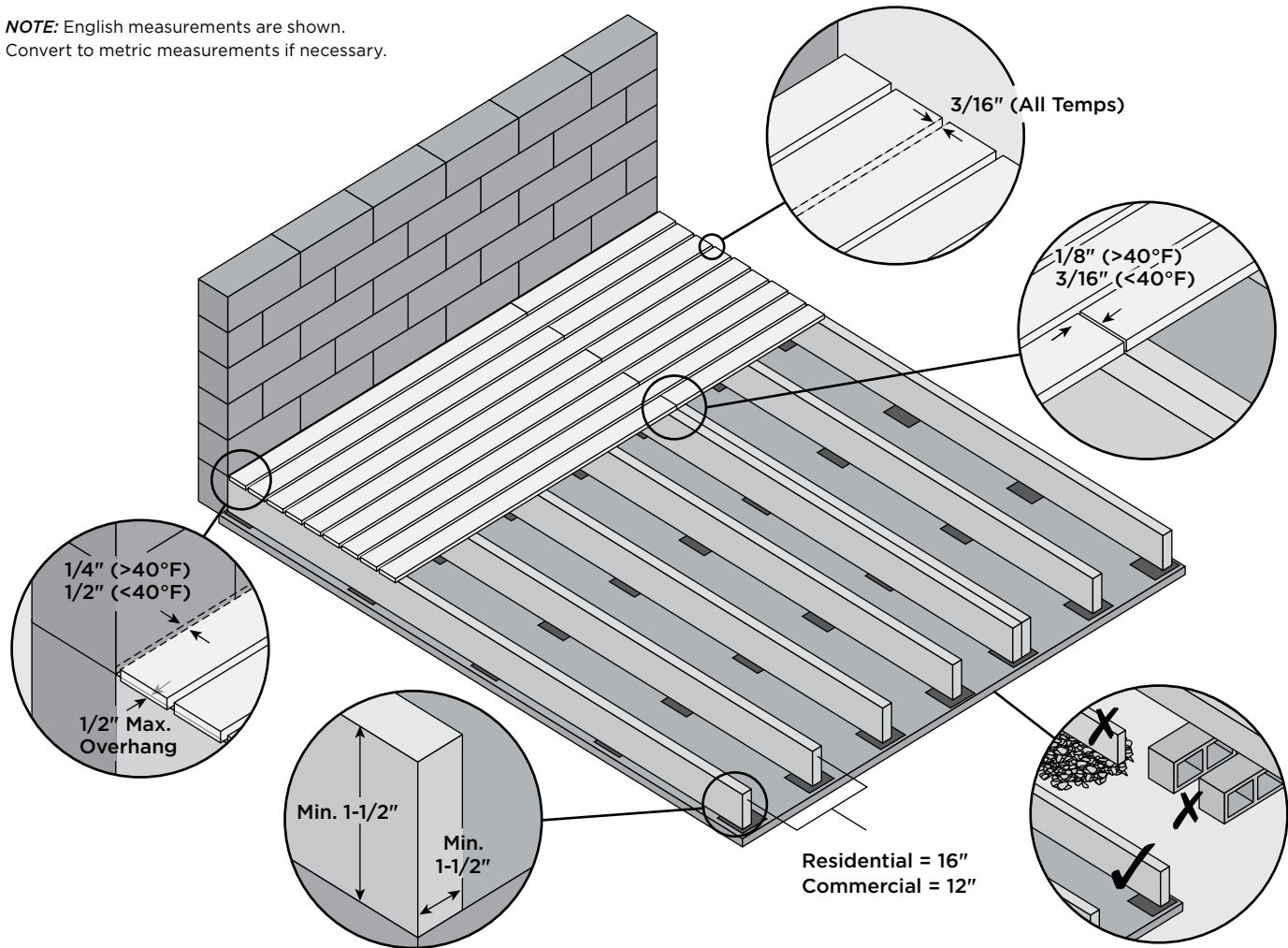
Tile Pattern



## Rooftop and Sleeper Deck Systems - Pressure-Treated Framing

A sleeper system is a substructure between a solid surface and Trex decking. Drainage, access, and airflow are critical. Water must be able to flow through and away from the deck. For repairs and removal of debris, joist system access may be necessary.

**NOTE:** English measurements are shown.  
Convert to metric measurements if necessary.

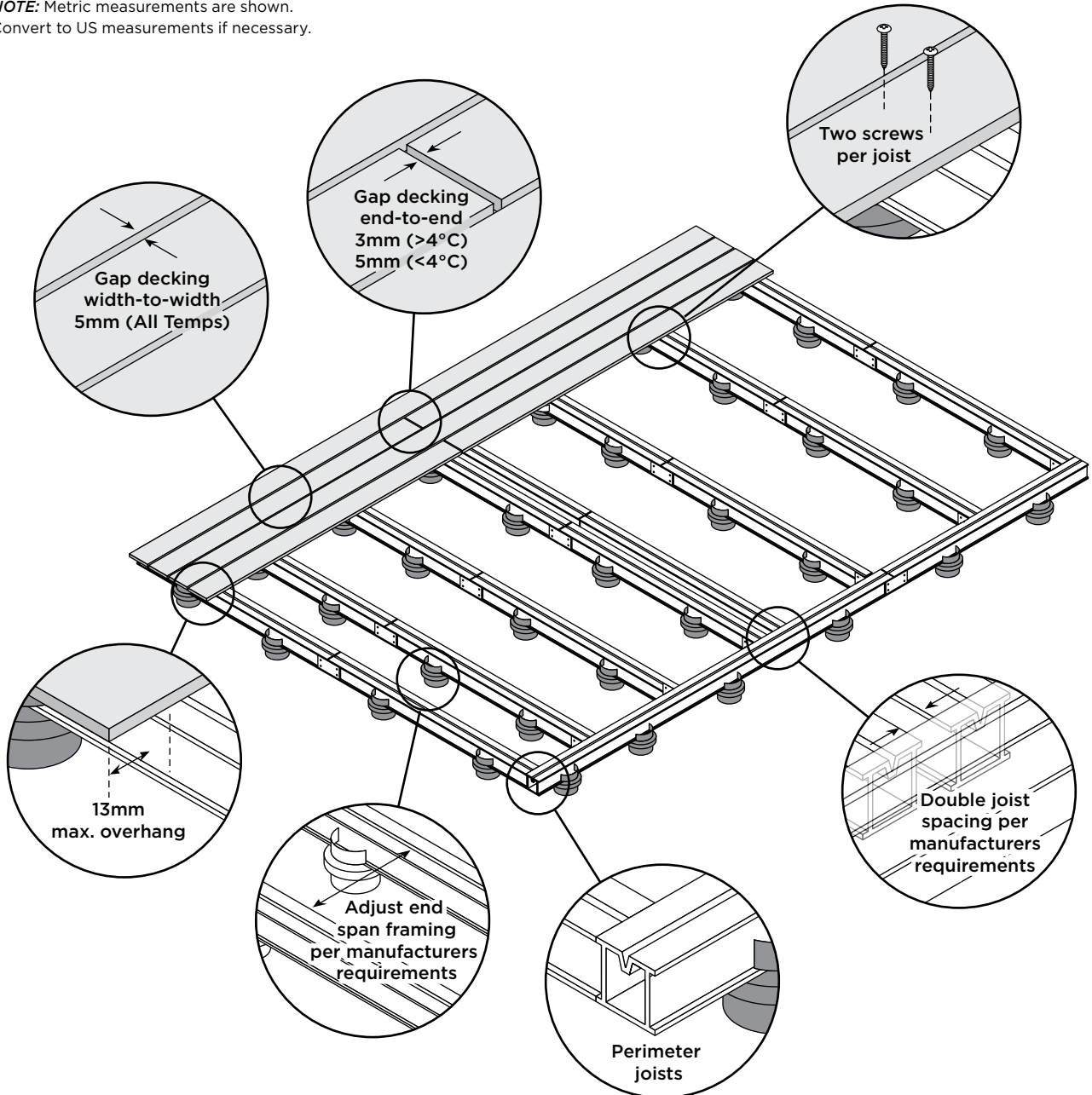


- » It is recommended that building-code approved structural material be used as the supports.
- » This system should not be allowed to float. It must be attached in a manner that secures the framing/system.
- » The sleeper system must be level and have no uneven undulations. Any uneven areas of the substructure will transfer to the Trex decking, resulting in uneven decking.
- » Trex, when used with a sleeper system, must be supported below its entire length. If using in a roofing application, the supports must run the direction of the pitch of the roof to facilitate proper drainage. Sleeper should be placed perpendicular to the deck board orientation.
- » For commercial applications, consult a local building code official for specific requirements.
- » If installing decking at an angle, decrease spans 4" (100 mm) for each of the above. (12" (305 mm) for residential and 8" (204 mm) for commercial.)
- » For sleeper systems where small debris (pine needles, leaves, sand, dirt) can accumulate either between or under deck boards, a minimum of 1-1/2" (38mm) height is allowable. Trex recommends the use of Trex Universal Hidden Fasteners or 2" Starborn Cap-Tor® xd - Epoxy Coated screws. **NOTE:** Trex recommended composite decking screws are too long when using 1-1/2" (38 mm) height as this will penetrate through the sleeper. For areas with the potential for debris buildup, a minimum 3-1/2" (89 mm) or greater height is recommended to allow the debris to be removed along with the use of either Trex Universal Hidden fasteners or any Trex recommended screws.
- » **Always** consult your local building code authority for proper details on roof and railing installation to the roof structure if required.
- » Any deviation from these recommendations could result in voiding of the Trex warranty.

**NOTE:** Construction methods are always improving. Please refer to [www.trex.com](http://www.trex.com) for the most up-to-date installation requirements.

# Metal Framing Requirements and Gapping

**NOTE:** Metric measurements are shown.  
Convert to US measurements if necessary.



### NOTES:

- » When using an aluminum framing system or other type of metal for sleeper systems, follow manufacturer's instructions for proper installation.
- » Depending on type of structure being used, different types of fasteners must be used for attachment.
- » When using screws to attach decking to framing, use two screws per every joist.

# Code Compliance

## Joist Spanning for Decking

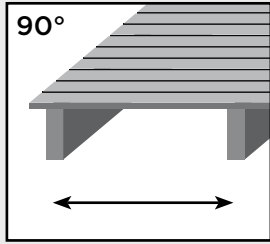
Trex decking meets all applicable national model building codes. The joists must be spaced on center according to the chart below. Be sure that joists are level and plumb. Trex decking must span at least three joists. For heavy items such as hot tubs, planters, etc., consult a local building engineer or inspector for span recommendations. If you want to minimize the appearance of joists through the spaces between boards, paint the top of your joists black.

## Code Listings

Trex complies with major model building codes and has been evaluated by the International Code Council evaluation service.

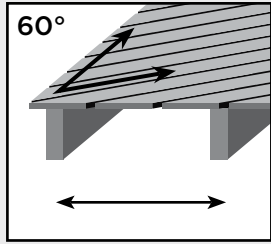
For a Safety Data Sheets (SDS), please visit [www.trex.com](http://www.trex.com).

**Adjust Joist Spanning to Accommodate Angled Decking Patterns**



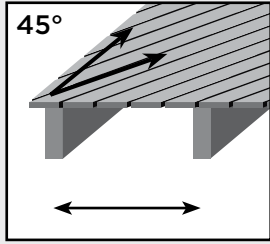
**90°**

Perpendicular to joists. See chart below.



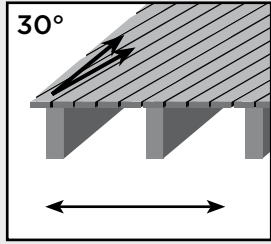
**60°**

At a 60° angle, maximum joist spanning is 2" (51 mm) less than listed in the chart below.



**45°**

At a 45° angle, maximum joist spanning is 4" (102 mm) less than listed in the chart below.



**30°**

At a 30° angle, maximum joist spanning is 1/2 of the distance listed in the chart below.

Trex Decking Span Chart (on center)		
	Residential Decks, Light Duty Docks, Residential/Day Care Playground	Commercial Decks, Boardwalks and Marinas
Decking Loading	100 psf = 4.8 kN/m <sup>2</sup>	100 psf = 4.8 kN/m <sup>2</sup> 200 psf = 9.5 kN/m <sup>2</sup>
1" (25 mm) Boards (including Porch), and .875" (22 mm) Select Boards	16" (406 mm)	16" (406 mm)    12" (305 mm)
2" x 6" (51 mm x 152 mm) Boards	24" (610 mm)	24" (610 mm)    16" (406 mm)

Trex Railing Span Chart	
Maximum Railing Span for all Applications	
Transcend, Select railing, and Trex Signature railing	96" on center (2438 mm) for Transcend, 72" on center (1829 mm) for Select, 96" (2438 mm) clear span for Trex Signature

**NOTE: Construction methods are always improving. Please refer to [www.trex.com](http://www.trex.com) for the most up-to-date installation requirements.**



## Gapping and Overhang

You must gap Trex decking both end-to-end and width-to-width. Gapping is necessary for drainage and the slight thermal expansion and contraction of Trex decking boards. Gapping also allows for shrinkage of the wood joist system.

- » **ALWAYS** follow Trex-recommended gapping guidelines.
- » Maximum allowable perpendicular overhang for all Trex decking is 1/2" (13 mm).
- » All decks require air circulation to keep them dry and looking good. To improve air flow, leave openings under the decking or increase gapping to 3/8" (10 mm).

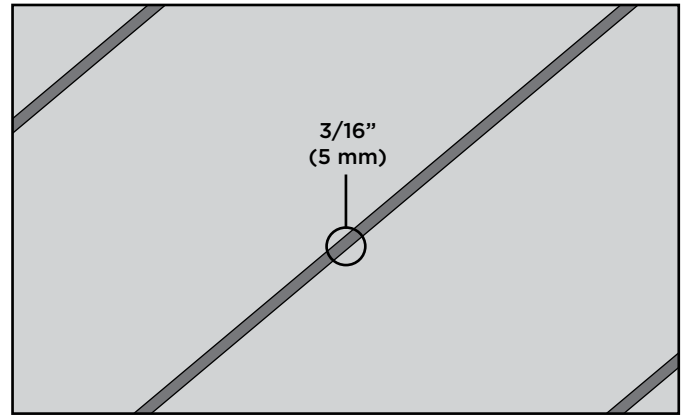
Width-to-Width Gap
3/16" (5 mm)

End-to-End/End-to-Width and Abutting Gap		
	End-to-End/ End-to-Width	Abutting Gap
Above 40°F* (4.5°C)*	1/8" (3 mm)	1/4" (6 mm)
Below 40°F* (4.5°C)*	3/16" (5 mm)	1/2" (13 mm)

\*Temperature at installation.

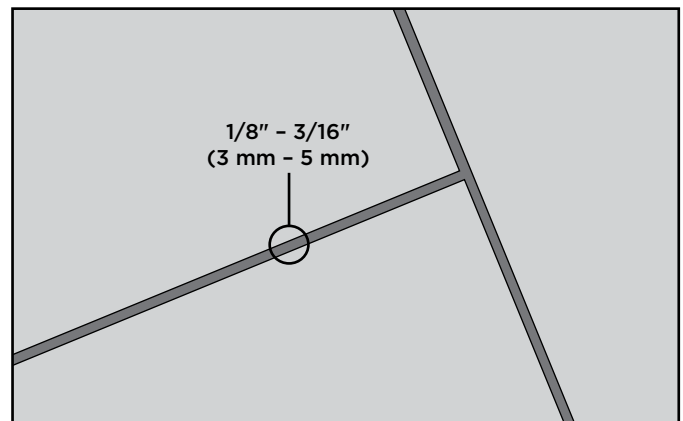
When you use the recommended hidden fasteners, the placement of the hidden fastener establishes the designated gap size.

When installing fascia, gapping rules must apply.



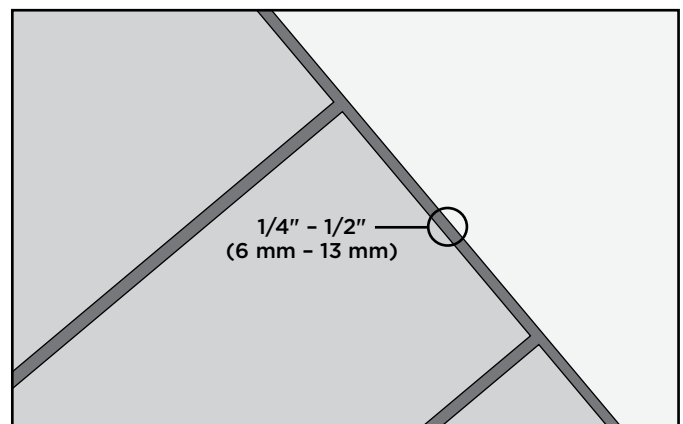
### Width-to-Width

The minimum required width-to-width gapping is 3/16" (5 mm). This is allowed for both hot and cold weather installations. For docks and heavily wooded areas, Trex recommends a 3/8" (10 mm) gap. No gapping should ever exceed 1/2" (13 mm).



### End-to-End/End-to-Width

Gap Trex decking end-to-end, based upon the temperature at installation. See chart at left. For fastening tips, see page 30.

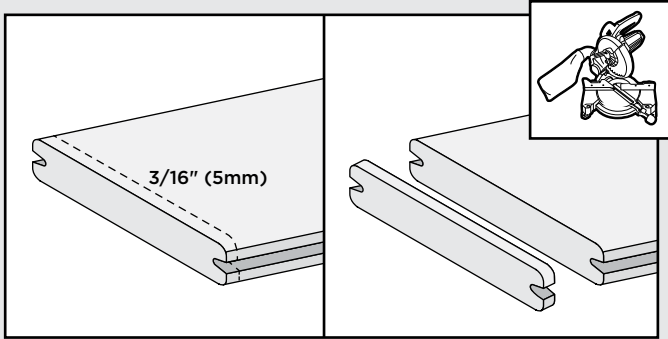


### Abutting Solid Objects

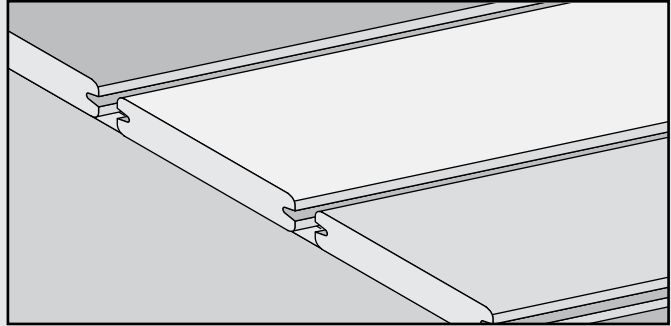
When decking is abutting a wall, you must also gap it 1/4"-1/2" (6-13 mm) depending on the temperature at installation. See chart at left.

## Important Notes Before Installing Trex® Decking

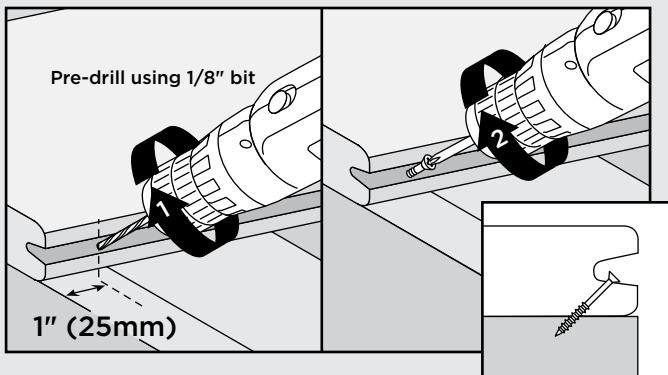
It is recommended to clean cut boards on both ends a minimum 3/16" (5mm).



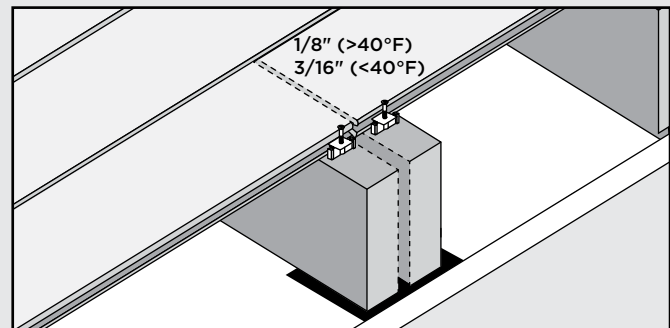
To ensure an appealing mix of color tones, mix and match all boards prior to installation.



If installing in localities prone to large temperature shifts within a 24-hour period, and installing Trex Universal Hidden Fasteners, pre-drill and toenail a screw (use same screw used in hidden fasteners) at an angle in groove at both ends (at least 1" (25mm) from board end) and center of each board.

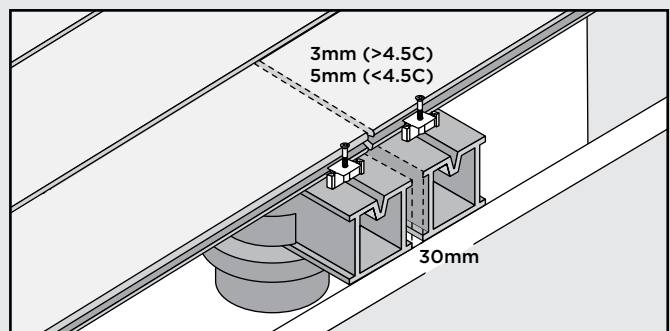


### Abutted Board Attachment Requirements



**NOTE:** Optional - Gap joist framing 1-1/8" to allow for water drainage.

### Metal Framing

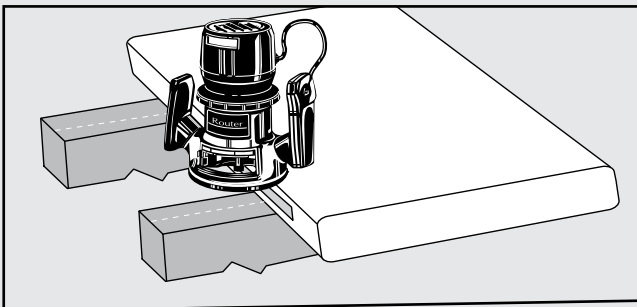


**NOTE:** Hidden Fasteners MUST be used at every joist.

**NOTE:** Use a drill (with adjustable clutch and torque) and adjust these settings if necessary to ensure screw is seated correctly in fastener. DO NOT countersink the screw head into the fastener. Screw head should be flush with the top of the fastener.

### Routing Square Edge Boards for Trex Hideaway Hidden Fasteners

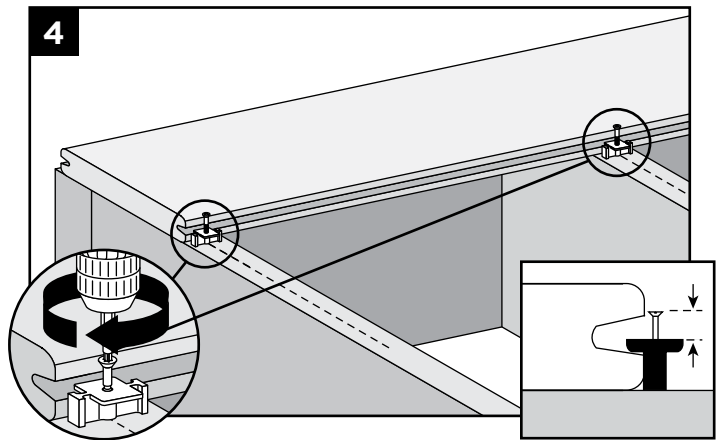
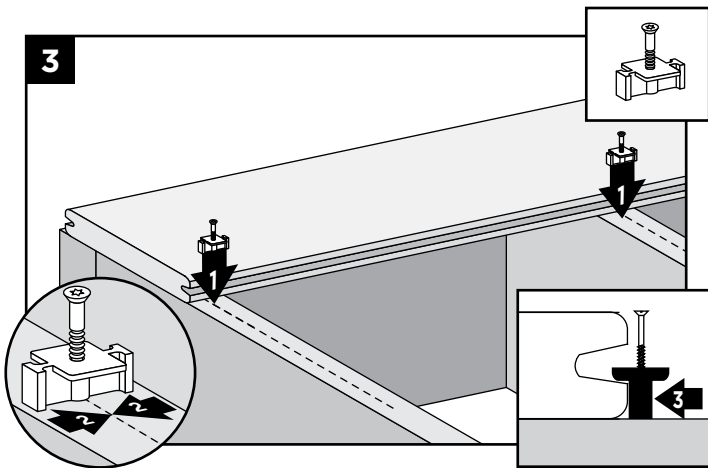
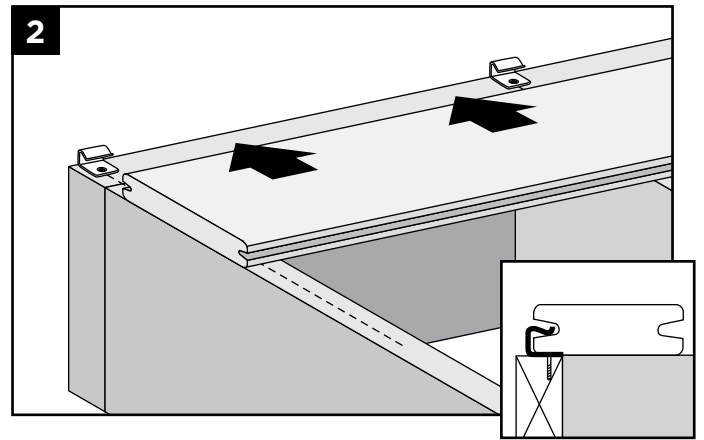
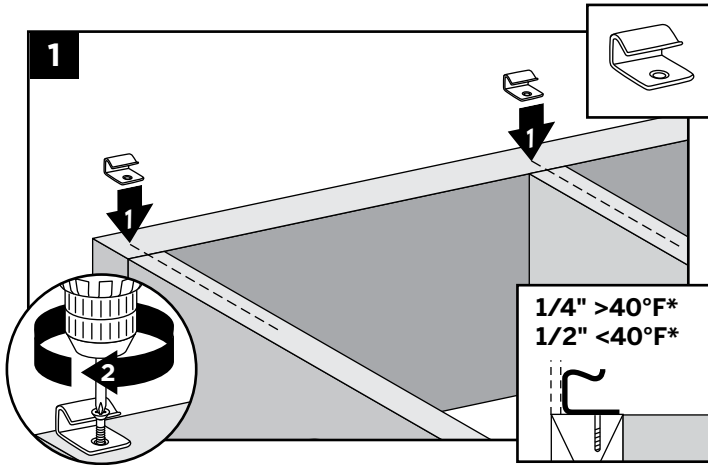
**NOTE:** All Trex square edge profiles, either 1x6 or 2x6, can be routed.



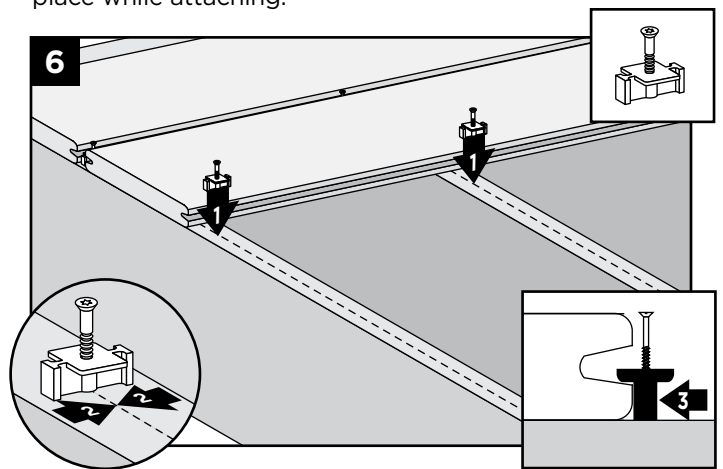
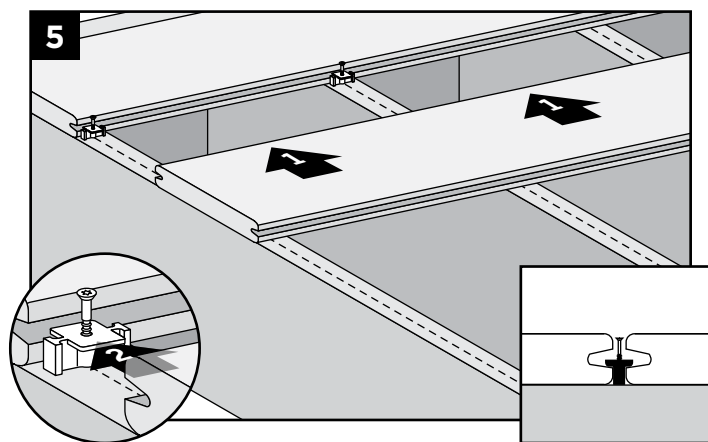
Using a Trex routerbit with standard router:

1. Rout from bottom side of board.
2. Rout the entire length of the board, or at every intersection where board is over support joists.

# Installing Trex Transcend®, Enhance®, Select® Deckboards

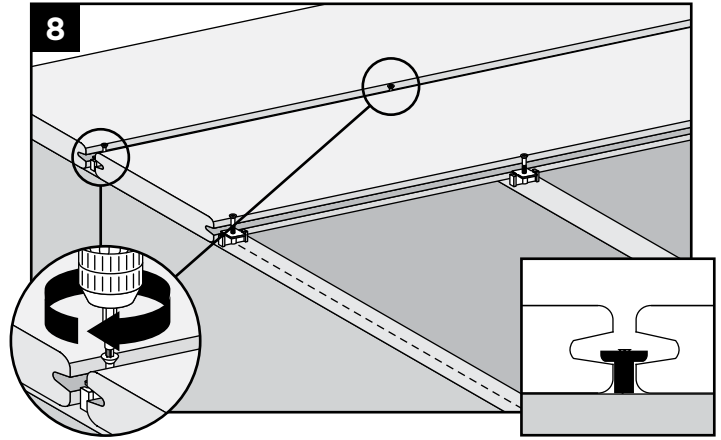
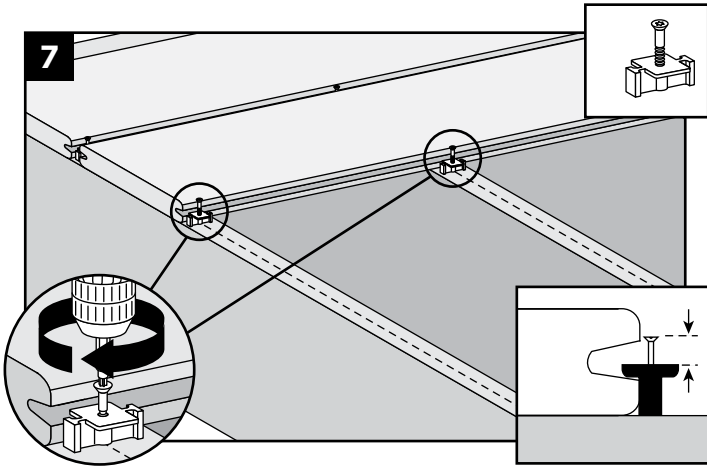


**NOTE:** Use scrap piece of decking to help hold fastener in place while attaching.

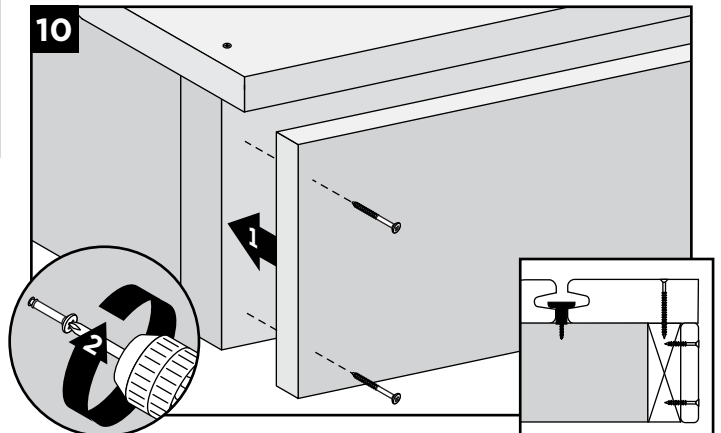
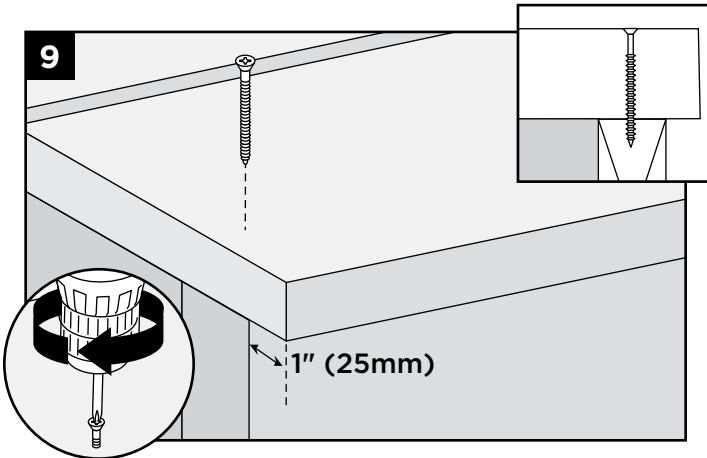




## Installing Trex Transcend®, Enhance®, Select® Deckboards/continued



### Installing Last Deck Board (Square-Edge Board Recommended)



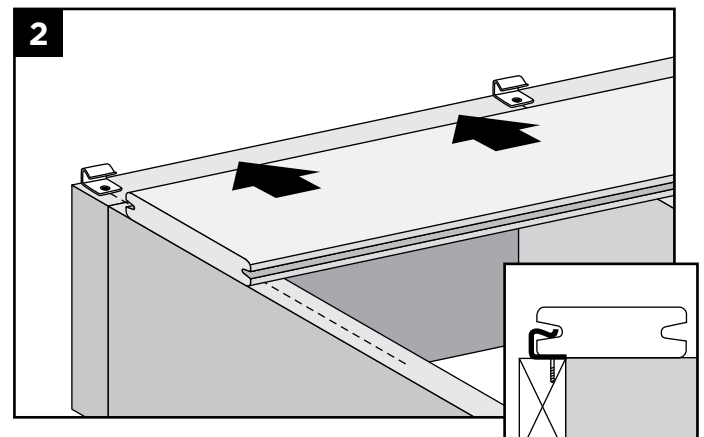
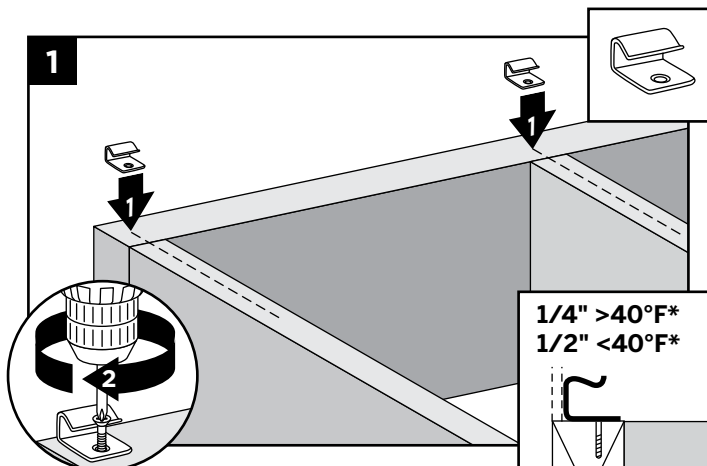
Route one side of square-edge board to use with hidden fasteners.

**TIP:** Use a recommended hidden fastener screw and plug for last board installation.

Fascia screws supplied by installer (1 x 8 fascia shown).

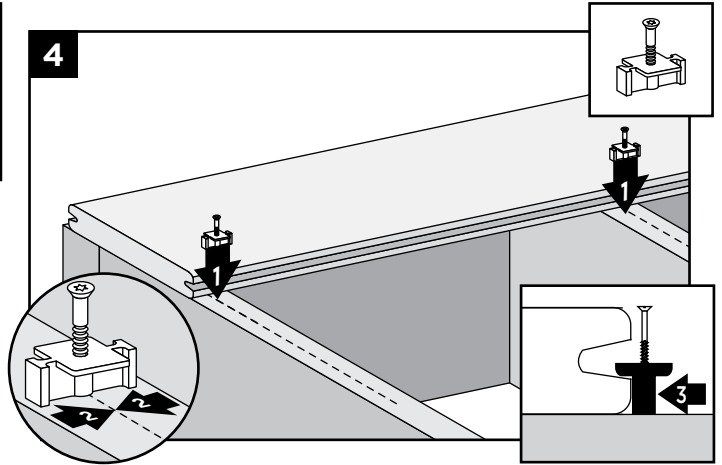
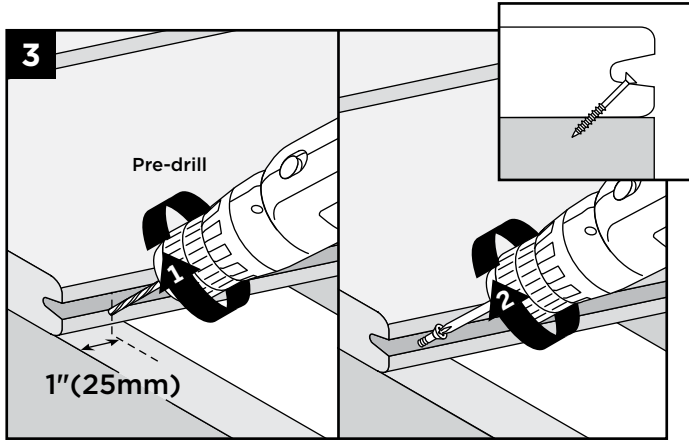
**NOTE:** Refer to page 15 for detailed fascia attachment instructions.

## Installing Trex Escapes® Boards/continued with Trex Hideaway® Universal Hidden Fasteners

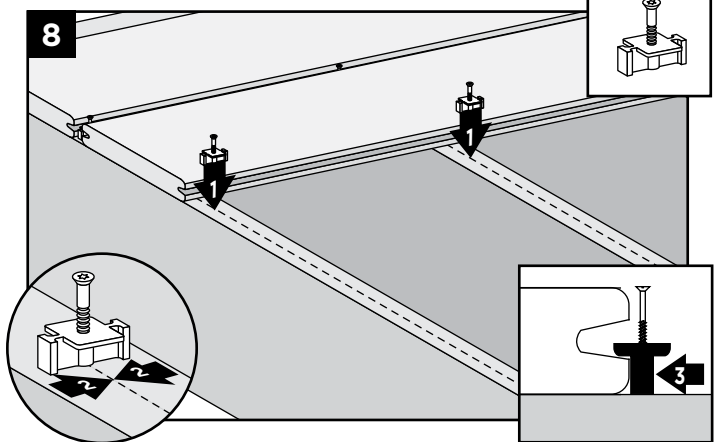
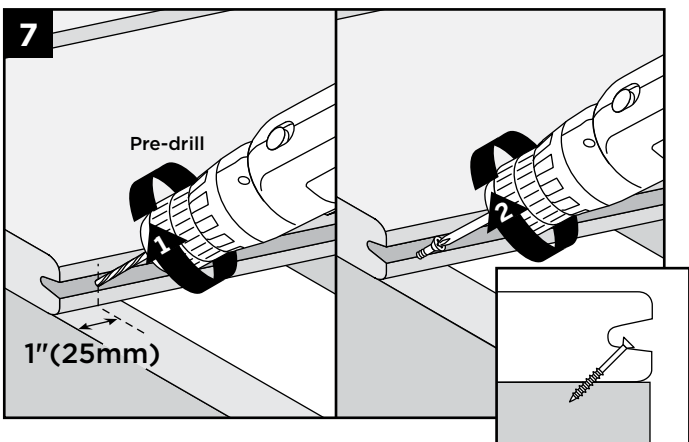
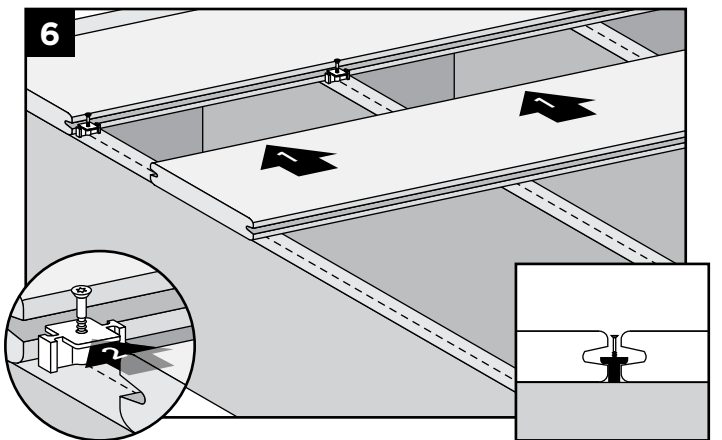
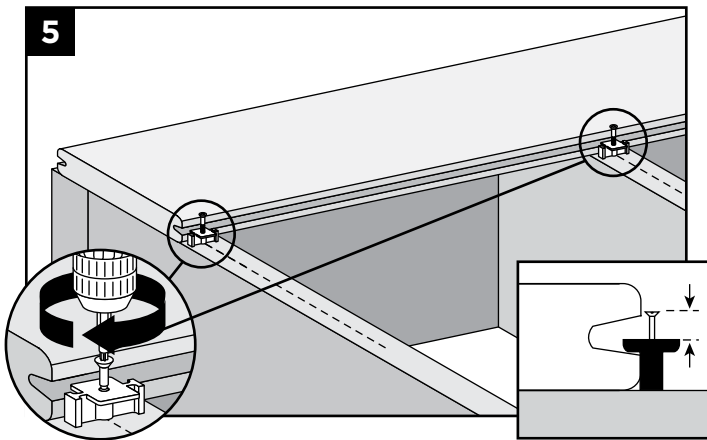


\*6mm > 4°C 13mm < 4°C

# Installing Trex Escapes® Boards/*continued* with Trex Hideaway® Universal Hidden Fasteners



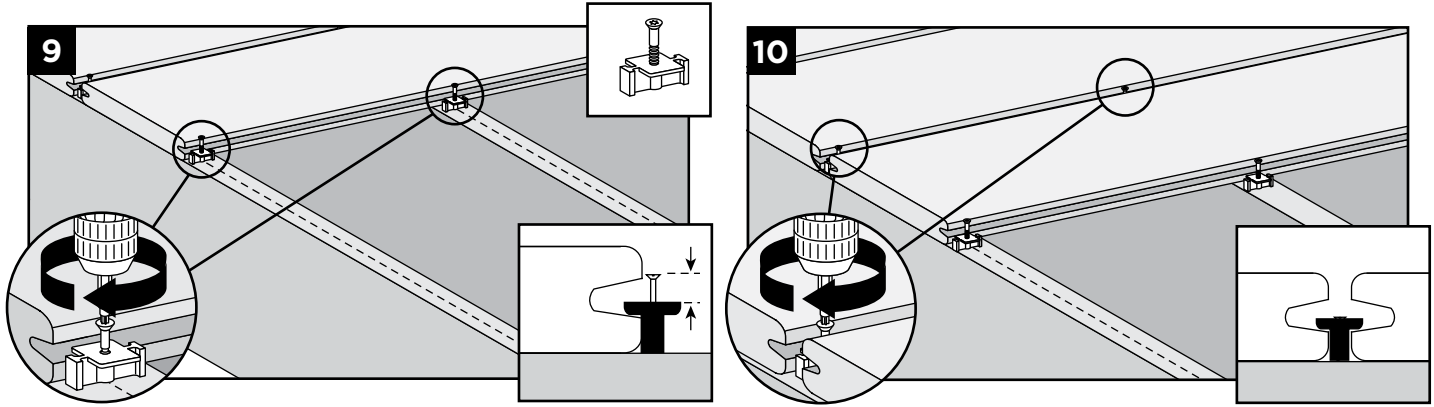
Use same screw as supplied with hidden fastener.  
**NOTE:** Install at both ends and center of board.



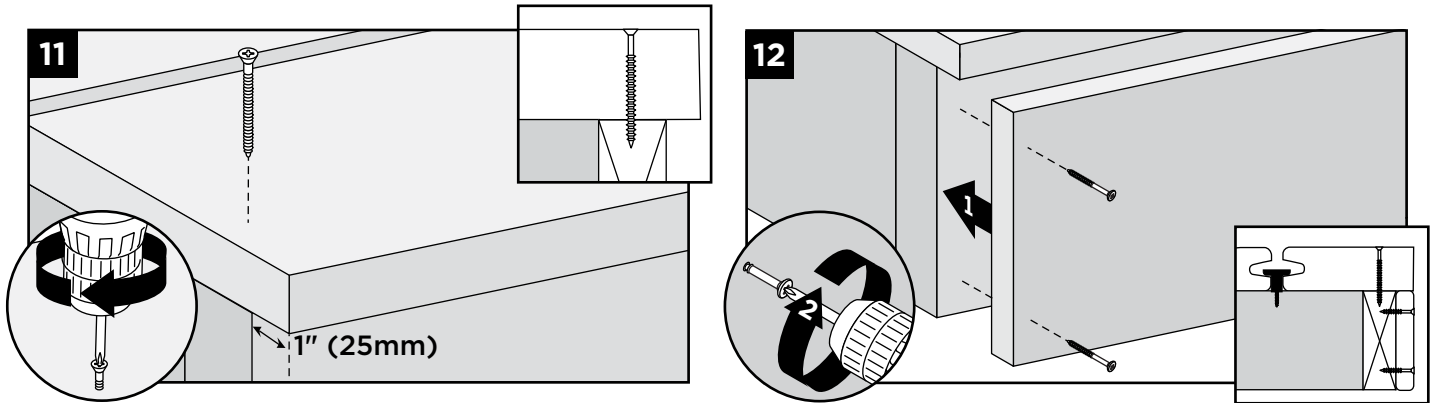
Use same screw as supplied with hidden fastener.  
**NOTE:** Install at both ends and center of board.



## Installing Trex Escapes® Boards/continued with Trex Hideaway® Universal Hidden Fasteners



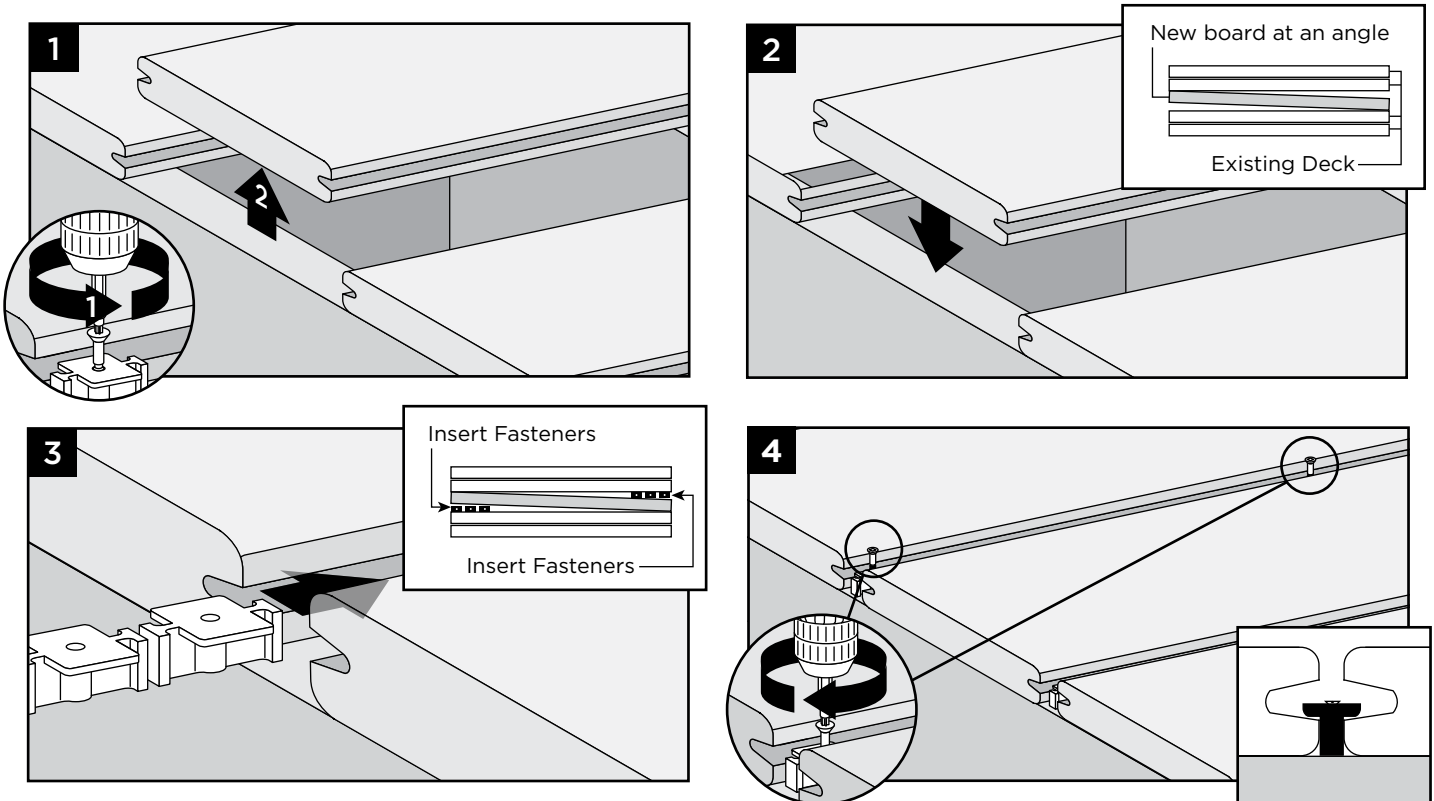
### Installing Last Deck Board (Square-Edge Board Recommended)



Route one side of square-edge board to use with hidden fasteners.

Fascia screws supplied by installer (1 x 8 fascia shown).

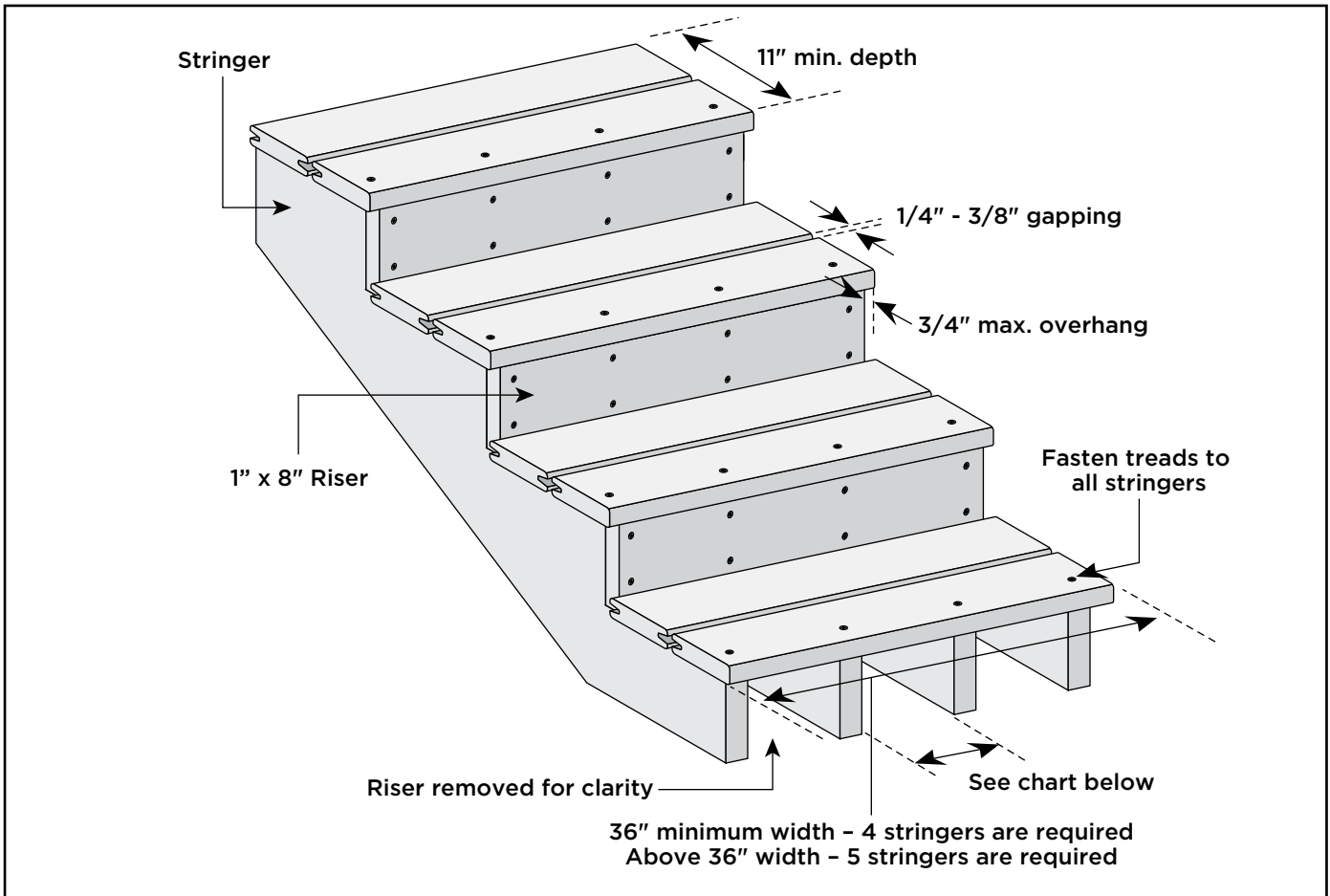
## Replacing Trex Boards (Transcend®, Enhance®, Select®, Escapes®) Installed with Trex Hideaway® Universal Fasteners





# Spanning Requirements for Trex® Stairs

Note: English measurements are shown. Convert to metric measurements if necessary.



## Stairs

### Stairway Detail

- » Stair treads built with Trex meet requirements of the major national building codes. Consult your local municipality for specific requirements.
- » Fasten stair treads continuously across at least four stringers.
- » See chart (at right) for center-to-center spacing of profiles.
- » Dress the sides of the stringers and risers with trim or Trex fascia for a finished look.
- » When installing risers, use two screws per every stringer.
- » Fascia fasteners can only be used if fascia boards are being used for risers. If deck boards are used, recommended composite deck screws must be used (glue is not required for this application).
- » Most model building codes require the stair treads to be constructed under the following requirements:
  - › Stairways must be at least 36" wide\*
  - › Stair treads must be at least 11" deep
- » Gapping between Trex boards on stair treads must be 1/4"-3/8".
- » The overhang of the stair tread is not to exceed 3/4".

\*For railings that are installed directly over stair treads, the stair treads may need to be larger than 36" wide. Refer to local building code regulations for details prior to installing stairs and railings.

### NOTES:

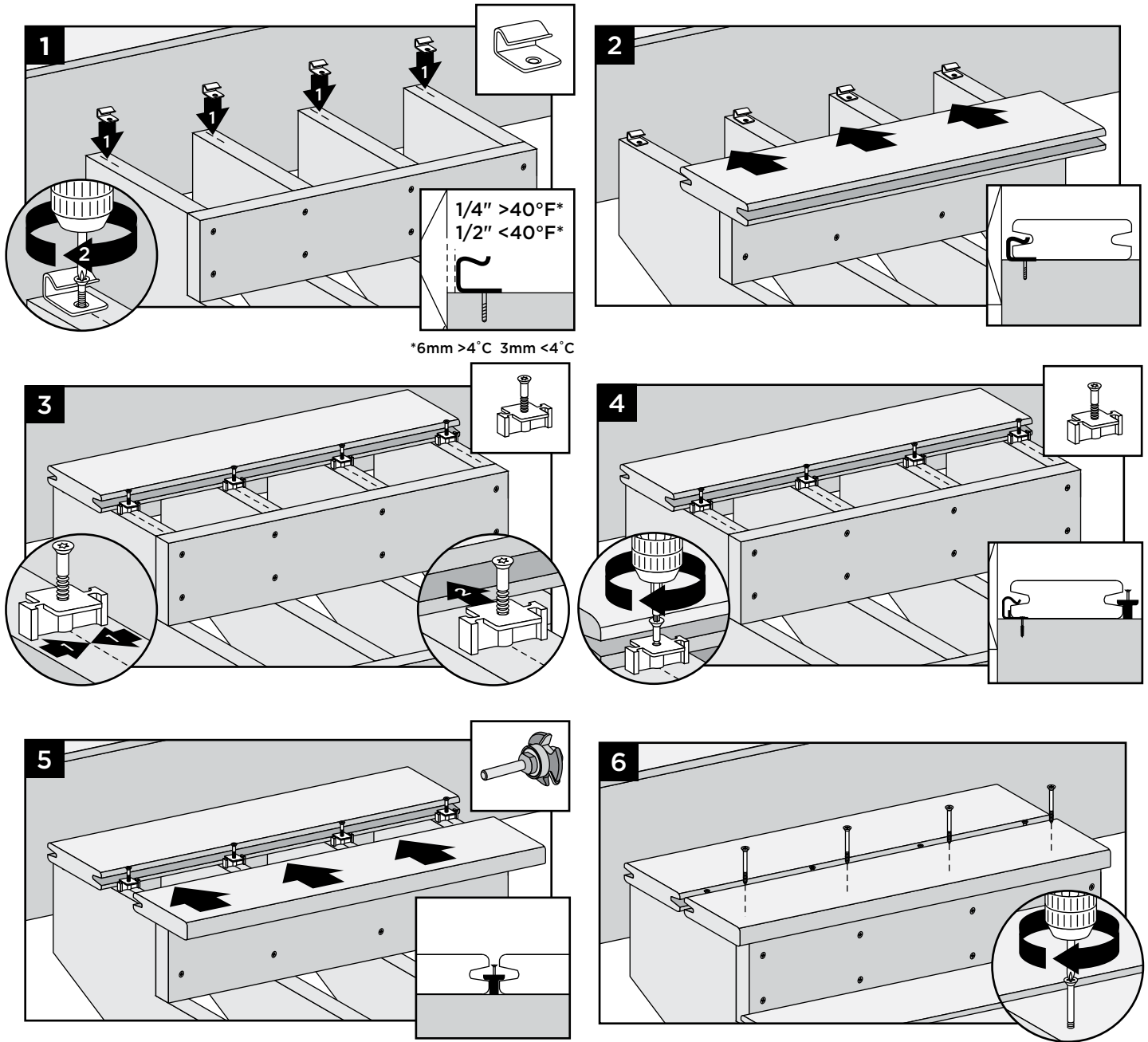
- » Trex rails meet all major building codes for use as a guardrail system. Local municipalities may require a graspable handrail on stairways. Check with your local building code official for local requirements. See Trex ADA Handrail System in the Trex product catalog.
- » Trex Porch Boards should not be used for stair applications. Use square-edge composite decking boards and manually rout these where needed to allow for use with hidden fasteners.

Maximum Spacing on Center of Stair Stringer	
Transcend 1" x 6"	12"
Select, Enhance (scalloped bottom), and Escapes 1" x 6"	9"
Transcend & Select 2" x 6"	12"

# Installing Trex® Stair Treads

## Installed with Hidden Fasteners

**NOTE:** Use square-edge, composite decking boards and manually route these on required sides to allow for use with hidden fasteners.



Rout one side of board (last stair tread).



# WARRANTIES







# TREX TRANSCEND®, TREX ENHANCE®, TREX SELECT® AND TREX® UNIVERSAL FASCIA LIMITED FADE & STAIN WARRANTY

For the term set forth below, Trex Company, Inc. (hereinafter “Trex”) warrants to the original end-user purchaser (the “Purchaser”) that Trex Transcend® decking, porch or fascia, Trex Enhance® decking or fascia, Trex Select® decking or fascia or Trex Universal Fascia, as the case may be (the “Product”) will perform, under normal use and service conditions, as follows:

**Term of Warranty:** The term of this warranty shall begin on the date of original purchase, and shall end (1) twenty-five (25) years thereafter for a residential application of the Product, and (2) ten (10) years thereafter for a commercial application of the Product. Notwithstanding the foregoing, the term of this warranty for Transcend Product used as outdoor cladding shall be twenty-five (25) years for both a residential application and a commercial application.

**Residential/Commercial Application:** For purposes of this warranty, a “residential application” shall refer to an installation of the Product on an individual residence, and a “commercial application” shall refer to any installation of the Product other than on an individual residence.

**Fade Resistance:** The Product shall not fade in color from light and weathering exposure as measured by color change of more than 5 Delta E (CIE) units.

The Product is designed to resist fading. No material is fade proof when exposed to years of UV exposure and the elements. The Product is designed to resist fading, and will not in any event fade by more than 5 Delta E (CIE) units.

**Stain Resistance:** The Product shall be resistant to permanent staining resulting from spills of food and beverage items including ketchup, mustard, salad oils, tea, wine, coffee, fruit punch, barbecue sauce, grease, sodas and other food and beverage related items that would typically be present on a residential deck, or mold and mildew naturally occurring in the environment, provided that such substances are removed from the Product with soap and water or mild household cleaners within one (1) week of exposure of the food or beverage to the surface or first appearance of the mold and mildew.

Notwithstanding the foregoing, Trex does not warrant that the Product is stain-proof, and does not warrant stain resistance resulting from spilled or otherwise applied food and beverage substances which are not properly cleaned as provided above within one (1) week of exposure. In addition, materials not covered in the stain resistant warranty include abrasive compounds of acidic or basic pH, paints or stains, strong solvents, metallic rust or other abnormal deck use items, and non-food and non-beverage substances, including but not limited to, biocides, fungicides, plant food, or bactericides. Mold and mildew can settle and grow on any outdoor surface, including this Product. You should periodically clean your deck to remove dirt and pollen that can feed mold and

mildew. This warranty does not cover mold and mildew which is not properly cleaned as provided above within one (1) week of first appearance.

**Standard Trex Company Limited Warranty:** This warranty is in addition to the standard Trex Company Limited Warranty that applies to all Trex products.

**Transferability:** With respect to a residential application, this warranty may be transferred one (1) time, within the five (5) year period beginning from the date of original purchase by the Purchaser, to a subsequent buyer of the property upon which the Trex products were originally installed. With respect to a commercial application, this warranty is freely transferable to subsequent buyers of the property upon which the Trex products were originally installed.

## EXCLUSIONS FROM WARRANTY COVERAGE:

**Exposure to Heat:** Direct or indirect contact with extreme heat sources (over 275 degrees) may cause fading and may damage the surface of the Product, and any effects of such exposure are expressly excluded from coverage under this warranty.

**Surface Damage:** Never use metal shovels or sharp-edged tools to remove snow and ice on the surface of the Product. If the surface of the Product is damaged or punctured, this warranty will be voided.

**Paint or Other Materials Applied to the Product:** If paint or other coating materials are applied to the Product, this warranty will be voided.

**Railing:** This warranty does not cover Trex Transcend®, Trex Enhance® or Trex Select® railing components.

**Other Exclusions:** This warranty shall not cover any condition attributable to: (1) improper installation of the Product and/or failure to abide by Trex’s installation guidelines, including but not limited to improper gapping; (2) use of the Product beyond normal use or service conditions, or in an application not recommended by Trex’s guidelines and local building codes; (3) movement, distortion, collapse or settling of the ground or the supporting structure on which the Product is installed; (4) any act of God (such as flooding, hurricane, earthquake, lightning, etc.); (5) improper handling, storage, abuse or neglect of the Product by Purchaser, the transferee or third parties; (6) any fading or staining not on the walking surface of the Product (i.e., the underside or the ends of the Product); or (7) ordinary wear and tear.

## Procedure for Making a Claim under this Warranty

In order to make a claim under this warranty, Purchaser must do the following:

1. If the Purchaser is making a claim relating to the warranty on stain resistance, Purchaser must do as follows:

**NOTE: Construction methods are always improving. Please refer to [www.trex.com](http://www.trex.com) for the most up-to-date installation requirements.**



# TREX TRANSCEND®, TREX ENHANCE®, TREX SELECT® AND TREX® UNIVERSAL FASCIA LIMITED FADE & STAIN WARRANTY/continued

(a) Purchaser must try to clean the affected area of the deck by using the cleaning procedures described above within one (1) week of exposure of the food or beverage to the Product or first appearance of the mold and mildew.

(b) If the affected area remains reasonably unsatisfactory after Purchaser has tried these cleaning procedures, then Purchaser must have the affected area of the deck professionally cleaned at Purchaser's expense.

(c) If the affected area remains reasonably unsatisfactory after the professional cleaning, Purchaser may make a claim under this warranty, provided that such claim is made within thirty (30) days after the professional cleaning.

2. To make a claim under this limited warranty, Purchaser, or the transferee, shall send to Trex, within the warranty period referred to above, a description and photographs of the affected area of the Product, proof of purchase, and if the claim relates to the warranty on stain resistance, proof of compliance with paragraph 1. above, to the following address:

Trex Company, Inc.  
Customer Relations  
160 Exeter Drive  
Winchester, VA 22603-8605

3. Upon confirmation by an authorized Trex representative of a valid claim hereunder, Trex's sole responsibility shall be, at its option, to either replace the affected item or refund the portion of the purchase price paid by Purchaser for such affected item (not including the cost of its initial installation). Replacement material will be provided that is as close as possible in color, design and quality as the replaced material, but Trex does not guarantee an exact match as colors and design may change.

4. If a valid warranty claim hereunder is made during years eleven (11) through twenty-five (25) after the original purchase for a residential application, recovery will be prorated. If Trex is providing replacement materials, it may elect to replace the percentage listed below of boards otherwise meeting the requirements for a claim, or if it is refunding the purchase price, it may elect to refund the percentage listed below of the purchase price of boards otherwise meeting the requirements for a claim.

YEAR OF WARRANTY CLAIM	PERCENTAGE RECOVERY
11	80%
12	80%
13	80%
14	60%
15	60%
16	60%
17	40%
18	40%
19	40%
20	20%
21	20%
22	20%
23	10%
24	10%
25	10%

**5. TO THE FULLEST EXTENT PERMITTED UNDER THE LAW, THIS WARRANTY SHALL NOT COVER AND TREX SHALL NOT BE RESPONSIBLE FOR COSTS AND EXPENSES INCURRED WITH RESPECT TO THE REMOVAL OF AFFECTED PRODUCT OR THE INSTALLATION OF REPLACEMENT MATERIALS, INCLUDING BUT NOT LIMITED TO LABOR AND FREIGHT.**

No person or entity is authorized by Trex to make and Trex shall not be bound by any statement or representation as to the quality or performance of Trex products other than as contained in this warranty. This warranty may not be altered or amended except in a written instrument signed by Trex and Purchaser.

**TO THE FULLEST EXTENT PERMITTED UNDER THE LAW, UNDER NO CIRCUMSTANCES WILL TREX BE LIABLE FOR INCIDENTAL OR CONSEQUENTIAL DAMAGES, WHETHER SUCH DAMAGES ARE SOUGHT IN CONTRACT, IN TORT (INCLUDING BUT NOT LIMITED TO NEGLIGENCE AND STRICT LIABILITY) OR OTHERWISE, AND TREX'S LIABILITY FOR NON-PERSONAL INJURY CLAIMS WITH RESPECT TO PRODUCTS SHALL IN NO EVENT EXCEED THE REPLACEMENT OF SUCH PRODUCTS OR REFUND OF THE PURCHASE PRICE, AS DESCRIBED ABOVE.**

Some States or Provinces do not allow the exclusion or limitation of incidental or consequential damages, so the above limitation or exclusion may not apply to you. This warranty gives you specific legal rights, and you may also have other rights that vary from State to State or Province to Province.

Copyright © 2019 Trex Company, Inc.



## TREX® LIMITED WARRANTY

Trex Company, Inc. (hereinafter “Trex”) warrants to the original purchaser (“Purchaser”) that, for the period of time set forth in the following sentence, under normal use and service conditions, Trex® product (the “Product”) shall be free from material defects in workmanship and materials, and shall not split, splinter, rot or suffer structural damage from termites or fungal decay. The term of such warranty shall be twenty-five (25) years from the date of original purchase for a residential application, and ten (10) years from the date of original purchase for a commercial application. If a defect occurs within the warranty period, Purchaser shall notify Trex in writing and, upon confirmation by an authorized Trex representative of the defect, Trex’s sole responsibility shall be, at its option, to either replace the defective Product or refund the portion of the purchase price paid by Purchaser for such defective Product (not including the cost of its initial installation).

For purposes of this warranty, a “residential application” shall refer to an installation of the Product on an individual residence, and a “commercial application” shall refer to any installation of the Product other than on an individual residence.

**Notwithstanding the foregoing, (a) the term of the warranty for the LED lights and housing for Trex DeckLighting™ shall be seven (7) years, the term of the warranty for the LED lights and housing for Trex LandscapeLighting™ shall be five (5) years, the term of the warranty for the dimmer, timer and transformer for both shall be three (3) years, and the term of the warranty for the motion controller for both shall be one (1) year, in each case provided that a Trex transformer is used (with no warranty on any components if a Trex transformer is not used), and any other parts or accessories shall not be warranted; (b) with respect to hardware for the Trex Surroundings® gate (gate frame, hinges and screws), the term of the warranty shall be five (5) years, (c) with respect to Trex Decorative Balusters, the term of the warranty covering the paint coating shall be ten (10) years, and shall be prorated in the following manner: 100% replacement for the first five (5) years; and 50% replacement for the next five (5) years, (d) the term of the warranty for Transcend Product used as outdoor cladding shall be twenty-five (25) years for both a residential application and a commercial application, and (e) this warranty shall not apply to Trex Elevations® steel deck framing, Trex Signature® aluminum railing and TrexTrim™ (which each have separate warranties).**

**TO THE FULLEST EXTENT PERMITTED UNDER THE LAW, THIS WARRANTY SHALL NOT COVER AND TREX SHALL NOT BE RESPONSIBLE FOR COSTS AND EXPENSES INCURRED WITH RESPECT TO THE REMOVAL OF DEFECTIVE PRODUCT OR THE INSTALLATION OF REPLACEMENT MATERIALS, INCLUDING BUT NOT LIMITED TO LABOR AND FREIGHT.**

With respect to a residential application, this warranty may be transferred one (1) time, within the five (5) year period beginning from the date of original purchase by the Purchaser, to a subsequent buyer of the property upon which the Product was originally installed. With respect to a commercial application, this warranty

is freely transferable to subsequent buyers of the property upon which the Product was originally installed.

To make a claim under this limited warranty, Purchaser, or the transferee, shall send to Trex, within the warranty period referred to above, a description of the claimed defect and proof of purchase, to the following address:

Trex Company, Inc.  
Customer Relations  
160 Exeter Drive  
Winchester, VA 22603-8605

Trex does not warrant against and is not responsible for any condition attributable to: (1) improper installation of Product and/or failure to abide by Trex’s installation guidelines, including but not limited to improper gapping; (2) use of Product beyond normal use and service conditions, or in an application not recommended by Trex’s guidelines and local building codes; (3) movement, distortion, collapse or settling of the ground or the supporting structure on which Product is installed; (4) any act of God (such as flooding, hurricane, earthquake, lightning, etc.), environmental condition (such as air pollution, mold, mildew, etc.), staining from foreign substances (such as dirt, grease, oil, etc.), or normal weathering (defined as exposure to sunlight, weather and atmosphere which will cause any colored surface to gradually fade, chalk, or accumulate dirt or stains); (5) variations or changes in color of Product; (6) improper handling, storage, abuse or neglect of Product by Purchaser, the transferee or third parties; or (7) ordinary wear and tear.

No person or entity is authorized by Trex to make and Trex shall not be bound by any statement or representation as to the quality or performance of Product other than as contained in this warranty. This warranty may not be altered or amended except in a written instrument signed by Trex and Purchaser.

**TO THE FULLEST EXTENT PERMITTED UNDER THE LAW, UNDER NO CIRCUMSTANCES WILL TREX BE LIABLE FOR INCIDENTAL OR CONSEQUENTIAL DAMAGES, WHETHER SUCH DAMAGES ARE SOUGHT IN CONTRACT, IN TORT (INCLUDING BUT NOT LIMITED TO NEGLIGENCE AND STRICT LIABILITY) OR OTHERWISE, AND TREX’S LIABILITY FOR NON-PERSONAL INJURY CLAIMS WITH RESPECT TO DEFECTIVE PRODUCT SHALL IN NO EVENT EXCEED THE REPLACEMENT OF SUCH PRODUCT OR REFUND OF THE PURCHASE PRICE, AS DESCRIBED ABOVE.**

Some States or Provinces do not allow the exclusion or limitation of incidental or consequential damages, so the above limitation or exclusion may not apply to you. This warranty gives you specific legal rights, and you may also have other rights that vary from State to State or Province to Province.

Copyright © 2019 Trex Company, Inc.



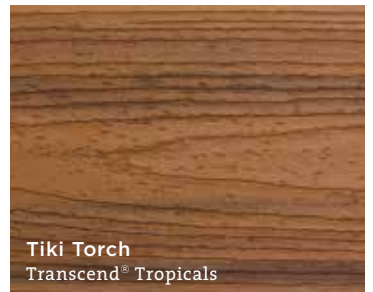
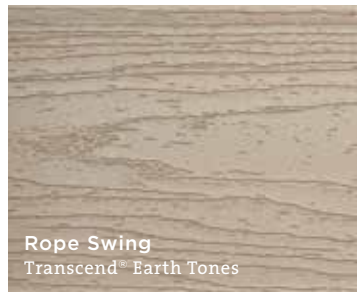
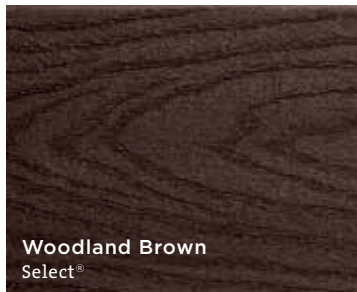
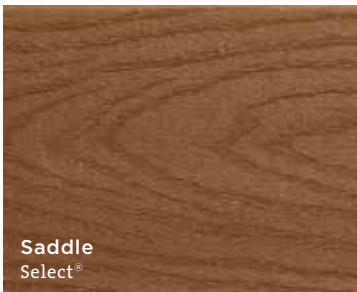
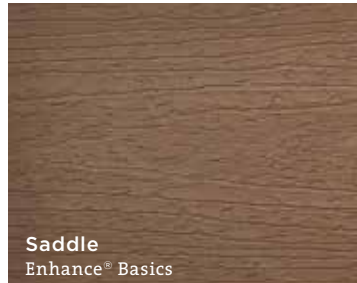
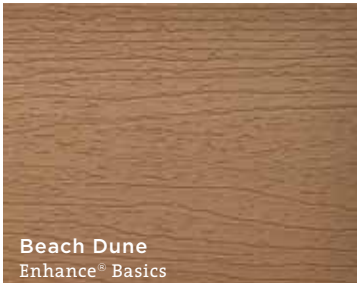


# DECKING COLOR PALETTE

## GREYS

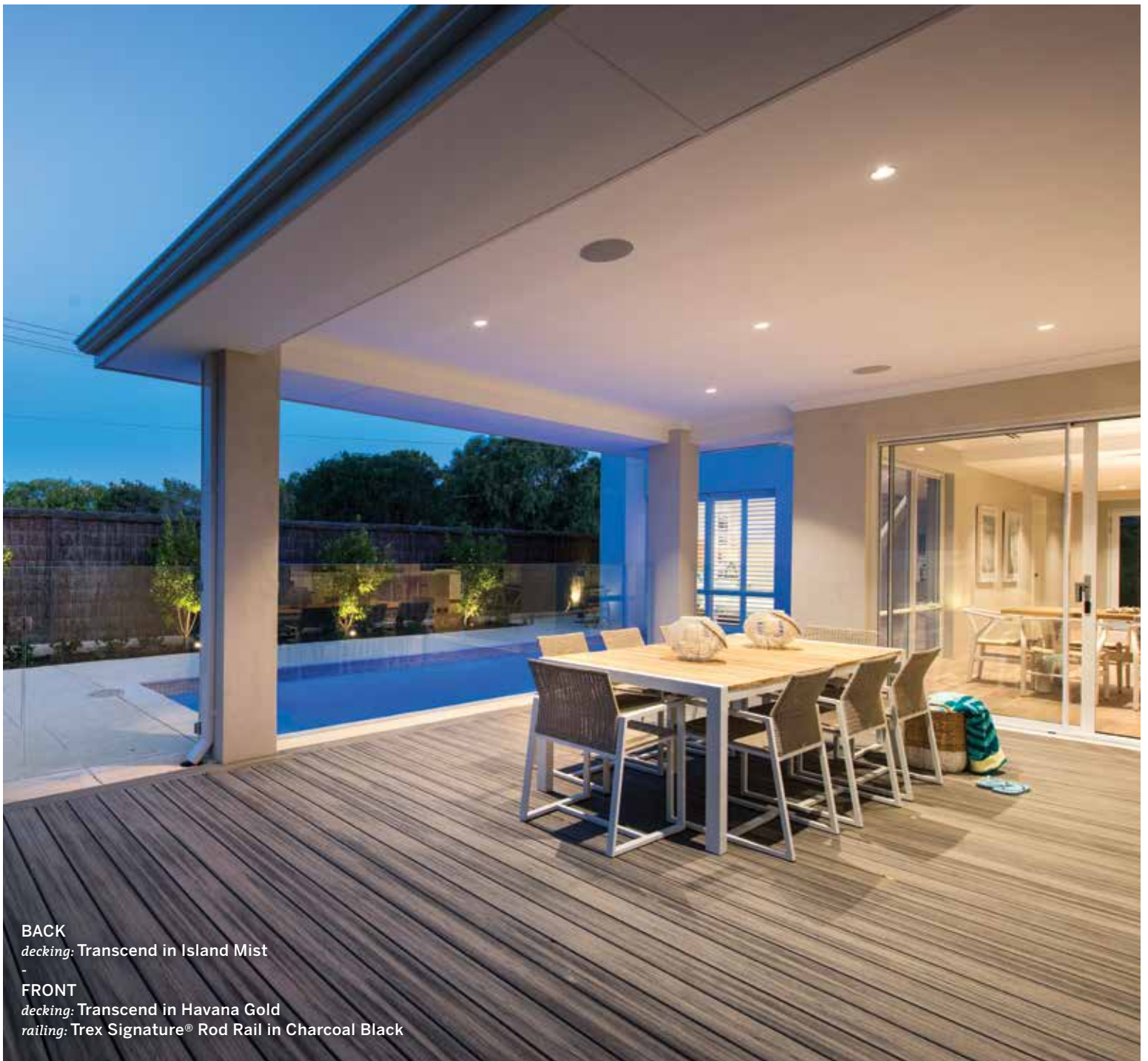


## BROWNS



## REDS





**BACK**  
*decking:* Transcend in Island Mist

**FRONT**  
*decking:* Transcend in Havana Gold  
*railing:* Trex Signature® Rod Rail in Charcoal Black

DECKING | RAILING | FRAMING | LIGHTING | FASCIA | KITCHENS | FURNITURE | PERGOLA | DRAINAGE



FIND US ON



Visit [trex.com](http://trex.com) or call 1-800-BUY-TREX

©2020 Trex Company, Inc. All rights reserved. Trex®, the Trex logo, Trex Transcend®, Trex Enhance®, Trex Select®, Trex Signature®, Trex Hideaway®, Trex Elevations®, Trex® OutdoorLighting™, Trex Blade™, Trex® Outdoor Kitchens™, Trex® Spiral Stairs™, Trex® RainEscapes®, Trex® Pergola™, TrexPro®, Trex® CustomCurve®, Trex® LatticeWorks™ and Trex® Cornhole™ are either federally registered trademarks, trademarks or trade dress of Trex Company, Inc., Winchester, Virginia or its licensees.

